

# ALL MODE COMMUNICATIONS RECEIVER FRG-7700



Downloaded by



## GENERAL DESCRIPTION

The FRG-7700 is a revolutionary communications receiver for the most demanding shortwave listener. Using an advanced frequency synthesizer, the FRG-7700 provides reception over the range 150 kHz – 29.9 MHz, with provision for reception of AM, SSB, CW, and FM stations. In the AM mode, three bandwidths are available, allowing the operator to select the IF bandwidth most appropriate for the interference level and fidelity requirements of each listening period.

Available as an option for the FRG-7700 is Yaesu's exciting memory feature, which allows the storage and recall of up to twelve discrete frequencies. This allows the operator to watch several stations with pushbutton ease, thus eliminating the considerable effort involved in tuning manually for each of several stations one wants to watch. A memory backup feature is built into the memory unit (three penlight cells required, batteries not supplied).

The FRG-7700 features high sensitivity, excellent selectivity, digital plus analog display of the operating frequency, and a built-in digital quartz clock that can be programmed to turn the receiver on and off. A snooze timer is included in the clock feature. The timer may also be used to control peripheral equipment such as a tape recorder, for unattended recording of programs you might otherwise miss because you must be away from your station.

Top performance features include a highly effective noise blanker, selectable fast/slow AGC (Automatic Gain Control) circuit, an audio filter which may be adjusted to improve interference rejection, an easy-to-read S-meter, and two RF attenuators (one fixed, one continuously adjustable) for operation under very strong signal conditions. For FM operation, a squelch control will silence the receiver until a signal is received. Convenient interface jacks for tape recorder control, audio output to an external speaker or tape recorder, receiver muting, and for listening via headphones make the FRG-7700 truly the most versatile receiver to be made available to the shortwave listeners of the world.

We recommend that this manual be read carefully prior to operating the FRG-7700. With proper care in installation and operation, this receiver will provide you with many years of trouble-free operation.

# SPECIFICATIONS

**Frequency Range:**

150 kHz – 29.999 MHz (30 bands)

**Modes:**

AM, SSB (USB, LSB), CW, FM

**Sensitivity:**

	AM	SSB/CW	FM
0.15MHz–0.3MHz	30 $\mu$ V/500 $\Omega$	3 $\mu$ V/500 $\Omega$	–
0.3MHz–2MHz	25 $\mu$ V/500 $\Omega$	2 $\mu$ V/500 $\Omega$	–
2MHz–29.999MHz	5 $\mu$ V/50 $\Omega$	0.5 $\mu$ V/50 $\Omega$	1 $\mu$ V/50 $\Omega$

**Selectivity:**

AM W (Wide)	12 kHz (–6 dB)	25 kHz (–50 dB)
AM M (Medium)	6 kHz (–6 dB)	15 kHz (–50 dB)
AM N (Narrow)	2.7 kHz (–6 dB)	8 kHz (–50 dB)
SSB/CW	2.7 kHz (–6 dB)	8 kHz (–50 dB)
FM	15 kHz (–6 dB)	30 kHz (–40 dB)

**Stability:**

Less than  $\pm 1$  kHz from 1 to 30 minutes after power ON,

Less than  $\pm 300$  Hz after 30 minutes warm-up.

**Antenna Impedance:**

0.15 MHz – 2 MHz BC 500 ohms  
(unbalanced)

2 MHz – 29.999 MHz, SW/BC 50 ohms  
(unbalanced)

**Audio Output:**

1.5 Watts (8 ohms, 10% THD)

**Speaker Impedance:**

8 ohms

4-16 ohms for external speaker or headphone

**Power Requirement:**

100/120/220/240 volts, AC 50/60 Hz

**Power Consumption:**

	With Memory Unit
Standby: AC 10 VA	AC 10 VA
ON: AC 33 VA	AC 39 VA

**Size:**

334(W) x 129(H) x 225(D) mm

**Weight:**

Approx. 6 kg

6.5 kg (with Memory Unit)

## SEMICONDUCTOR COMPLEMENT

<b>IC:</b> HD10551P     2 MB8718        1 MB84040B     1 MC4044P       1 MC14024BCP   2 MC14046BCP   1 MC14069UBCP  1 MC14504BCP   1 MC14518BCP   2 MC14555BCP   1 MC14556BCP   1 MSM4023RS    1 MSM5524RS    1 $\mu$ PB553C       1 $\mu$ PC575C2F     1 $\mu$ PD5101LC     6 $\mu$ PC78L05A    1 SN16913P      3 SN74LS123     1 SN74LS192     4 SN74LS196     1 SN74LS290     1	SN74LS293     1 TA7061AP       1  <b>FET:</b> 2SK107-3       2 2SK125           4 3SK73GR        8  <b>Transistor:</b> 2SA733AQ       17 2SC535A         1 2SC900E         4 2SC945AQ       70 2SC1047C        1 2SC1317R        1 2SC1384R        3 2SC1393L        2 2SC1674L        4 2SC1959Y        1 2SD288K          1 2SD882Q          3 MPS-A13          1	<b>Diode:</b> 1N60             10 1S188FM         4 1SS53            64 10D1             1 FC52M            2 FC63             1 MV104            5 RD4.7EB2        1 RD5.6EB2        4 RD7.5EB1        1 RD9.1EB2        1 RD10EB1         1 S2V10            1 S2VB10F         1  <b>LED:</b> TLG-208          1 TLY-205          2 TLY-208          1  * Including Memory Unit
--	--	--

Specifications subject to change without notice or obligation

### ACCESSORIES

The following accessories are packaged along with the FRG-7700:

- (1) AC Power Cable (T9013280)            1 ea.
- (2) Extra fuses 100-120V 1A (Q0000002)  
                   220-240V 0.5A (Q0000001)            2 ea.
- (3) Wire for antenna (Q3000004)        10 m.
- (4) Extender feet with pads (R3054630) 2 ea.

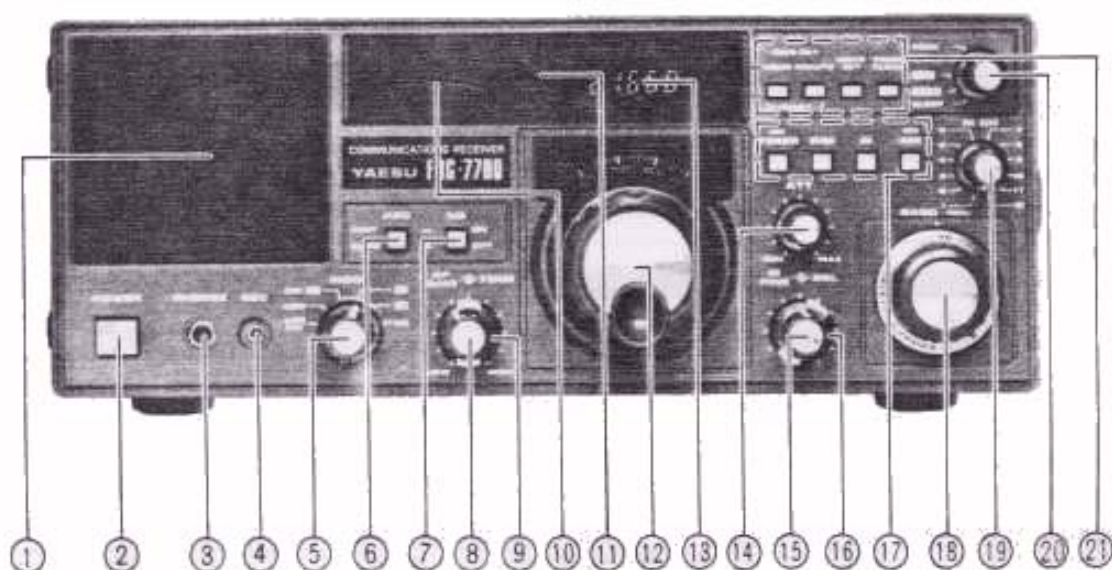
### AVAILABLE OPTIONS

- (1) Memory Unit
- (2) Memory/Clock Backup Batteries (AA Size)

#### NOTE

In this manual, discussion of the memory feature will omit repetitive use of the word "option," in the interest of brevity. The standard FRG-7700 does not include the memory unit, which is available as an extra-cost option from your Yaesu dealer. The AA size penlight cells required to activate the memory backup feature are not supplied with the memory unit.

# CONTROLS AND SWITCHES



## FRONT PANEL

### (1) SPEAKER

Internal speaker

### (2) POWER

This is the main ON/OFF switch for the receiver. When the POWER switch is in the OFF position, on/off control may be exercised by the clock timer. See the "Operation" section for details.

### (3) PHONES

This is a standard 1/4" headphone jack. When the headphone plug is inserted into this jack, the internal speaker is automatically cut off. The audio output impedance is 8 ohms.

### (4) REC

This miniature phone jack is for recording purposes. The output level is approximately 100 mV (fixed), irrespective of the setting of the AF GAIN control.

### (5) MODE

This control chooses the desired mode:

**LSB/CW** Use this position for lower sideband (LSB) and Morse Code (CW) reception.

**USB** Use this position for upper sideband (USB) reception. This position may also be used for CW reception, if desired.

**AM N** Use this position for narrow-band AM reception. Under conditions of extremely heavy adjacent frequency interference, this position of the mode switch may allow AM reception where a wider mode would be unusable. There will be some degradation in fidelity in the AM N position, however.

**AM M** For all-around AM reception, the AM M position of the mode switch may be used. Because of the wider bandwidth, the fidelity on the incoming signal is much better than with the AM N filter.

**AM W** Under clear band conditions, the AM W provides the widest bandwidth and best fidelity.

**FM** This position selects reception of FM signals.

### (6) AGC

This switch allows selection of the optimum AGC (Automatic Gain Control) decay time. The SLOW position is normally used for AM reception, while the FAST position is normally chosen for Morse Code (CW) reception. For SSB reception, the optimum position is determined by band conditions and the adjacent-frequency interference level.

### (7) NB

This switch, when pressed, activates the noise blanker for reduction in the level of interfering pulse-type noise.

#### (8) AF GAIN

The AF GAIN control varies the volume level from the speaker. Clockwise rotation increases the volume level.

#### (9) TONE

This control varies the high-frequency audio response. The variation in audio fidelity provided by the TONE control is highly useful in minimizing interference from heterodynes and other high-pitched noises that might ruin reception.

#### (10) S-METER

The S-meter provides a relative indication of the signal strength on the incoming signal. The upper scale is calibrated in S-units from S1 to S9, with stronger signals indicated in dB over S9. The lower scale is calibrated in S-units compatible with the SINPO code, as shown in Table 1.

#### (11) AM, PM

These are AM and PM indicators for the clock.

#### (12) MAIN DIAL

The main dial determines the operating frequency of the FRG-7700, in conjunction with the setting of the BAND switch.

#### (13) DIGITAL DISPLAY

The digital display indicates the operating frequency as well as the time. Selection of display of the frequency or time is made via the FUNCTION switch.

#### (14) ATT

The ATT (Attenuator) control, when rotated in a clockwise direction, reduces the gain of the receiver preamplifier, thus minimizing overloading of the receiver during conditions of extremely strong adjacent-frequency interference. Maximum receiver sensitivity occurs when the ATT control is rotated to the fully counterclockwise position.

#### (15) M FINE

This control allows fine tuning during memory operation. A frequency excursion of up to 1 kHz may be achieved using this control.

#### (16) SQL

The SQL (Squelch) control will silence the receiver until a signal is received. The SQL control is usable

ONLY in the FM mode.

#### (17) CONTROL SWITCHES (TIMER, DIM, M, MR)

**TIMER** Once the desired on/off timers are programmed into the clock, push this switch to activate the power control timer. In this mode, the digital clock timer will turn the receiver on and off.

**DIM** This button, when pushed, will allow dimming of the meter lamp, the dial lamps, and the display intensity.

**M** Push this button to store a frequency into memory.

**MR** This button, when pushed, transfers frequency control from the main dial to the memory system. Push the button again to return to main dial tuning.

#### (18) BAND

This switch selects the desired 1 MHz segment within the HF spectrum, with calibrations from 0 MHz to 29 MHz. Also provided are preset marks for the HF amateur radio (ham) bands.

#### (19) M CH

This switch selects the desired memory channel.

#### (20) FUNCTION

This switch selects the Digital Display functions.

**FREQ** All digits of the operating frequency are displayed with resolution to 1 kHz.

**CLOCK** Time is displayed in a 12-hour format.

**ON** The ON time, at which the receiver will be turned on, is displayed.

**OFF** The OFF time, at which the receiver will be turned off, is displayed.

**SLEEP** The remaining time of the sleep timer is displayed.

(Up to 59 minutes can be set for the sleep timer.)

#### (21) CLOCK SETTING SWITCHES

**HOUR** This switch is used for setting hours on the clock and timer. Pressing this switch once will advance the reading by one hour. If this switch is held for more than two seconds, the hour reading will advance continuously.

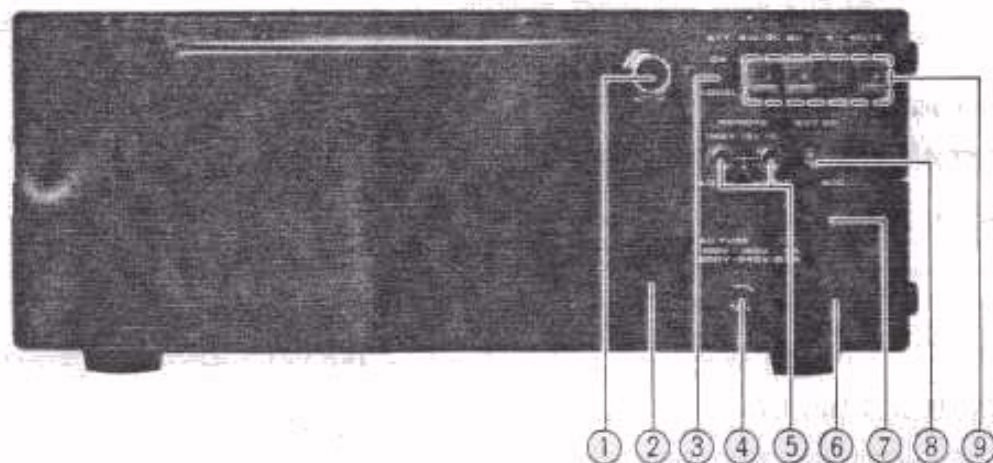
**MINUTE** This switch is used for setting minutes. The setting procedure is identical to that for setting hours.

#### **HOUR SET**

This switch, when pressed, resets the minute and second digits of the clock to zero. For example, if more than 30 minutes are displayed on the clock, pressing the HOUR SET button will advance the clock to the next hour. If less than 30 minutes have elapsed in the hour, pressing the HOUR SET button will zero the minutes and seconds, but leave the hour reading unchanged. This feature facilitates easy time setting.

#### **TIMER CLEAR**

This switch, when pressed, clears the remaining time before the programmed off time. After the timer turns the receiver on in the TIMER mode, you may push the TIMER CLEAR button to turn the receiver off. The following day, the receiver will turn ON again at the programmed time. In the sleep timer mode, pushing this switch will cause the remaining time to be zero, and the receiver will turn off.



#### **REAR PANEL**

##### **(1) COAX ANT**

This is a standard UHF type coaxial connector for shortwave and standard broadcast listening. This connector is wired in parallel with the SW/BC terminals.

##### **(2) AC**

The AC power cable should be connected at this point.

##### **(3) ATT**

The ATT (Attenuator) switch activates an attenuator in the incoming signal path when the LOCAL position is selected. For best receiver sensitivity, this switch should be placed in the DX position.

##### **(4) AC LINE FUSE**

For 100/120 volt operation, a 1 amp fuse should be installed here. For 200/240 volt operation, a 1/2 amp fuse should be installed here. When replacing fuses, be absolutely certain to use a fuse of the proper rating, as our warranty does not cover damage caused by use of an improper fuse.

**(5) REMOTE (N.O. N.C.)**

These RCA type jacks may be used for control of peripheral equipment such as tape recorders, etc. When the TIMER switch is activated, and the ON time is reached, the internal switching relay is activated. When the OFF time is reached, the relay returns to its normal condition. The normally open and normally closed jacks on the rear panel may then be used, according to the control requirements of your station equipment. See the "Operation" section for details.

**(6) AC VOLTAGE SELECTOR**

This is for selection of the proper input AC voltage. Set this selector for your local line voltage. If you have any question about your local line voltage, consult your local Yaesu dealer before attempting operation of this equipment.

**(7) ACC**

This is a 5 pin DIN accessory jack which affords access to AGC voltage, an 11 volt DC line, and the mute line.

**(8) EXT SP**

An external speaker may be connected via this jack. The audio output impedance is 4-16 ohms. Insertion of a plug into this jack automatically cuts off the internal speaker.

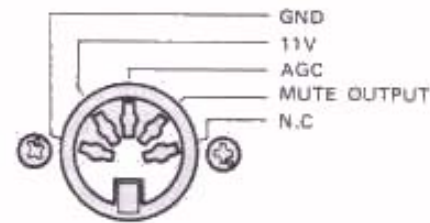
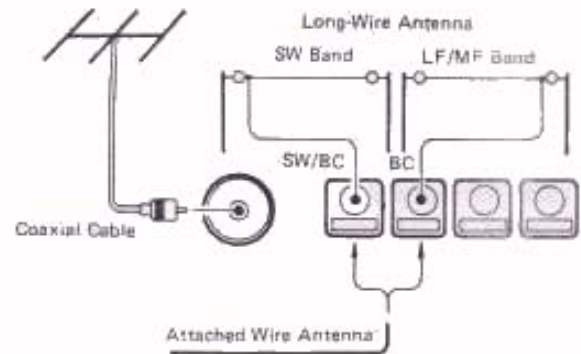
**(9) SW/BC, BC, E, MUTE**

SW/BC is for connection to a long wire antenna for both shortwave and broadcast listening.

BC is for connection to a long wire antenna for broadcast band listening.

E is a ground connection.

MUTE provides a means of muting the FRG-7700 (an external standby switch). Shorting the MUTE terminal to ground will mute the receiver.



**ACC CONNECTIONS**

**SINPO CODE**

	Signal Strength	Degrading Effect of			Overall Rating
	S	Interference I	Noise N	Propagation Disturbance P	
5	Excellent * (60dB)	Nil ⊙ (-40dB)	Nil (-40dB)	Nil ○ (0dB)	Excellent
4	Good (45dB)	Slight (-30dB)	Slight (-30dB)	Slight (10dB)	Good
3	Fair (30dB)	Moderate (-20dB)	Moderate (-20dB)	Moderate (20dB)	Fair
2	Poor (15dB)	Severe (-10dB)	Severe (-10dB)	Severe (30dB)	Poor
1	Barely Audible (0dB)	Extreme (0dB)	Extreme (0dB)	Extreme (40dB)	Unusable

Table 1

- \* RECEIVER INPUT LEVEL
- ⊙ RATIO TO SIGNAL
- DEPTH OF FADING, ECHO, ETC.

# INSTALLATION

Best performance from this equipment can only be obtained if proper care is observed during installation. While the setup procedure for the FRG-7700 is extremely straightforward, permanent damage to the set can occur if improper voltage is applied to the unit or if external connections are improperly made. Before attempting operation of your FRG-7700, be certain to read the following sections carefully.

## UNPACKING AND INITIAL INSPECTION

Carefully remove the FRG-7700 from its carton, and inspect it for any signs of physical damage. Rotate the knobs and push the switches, checking each for normal freedom of action. Should any damage be observed, document it carefully, and notify the shipping company immediately. Save the carton and foam packing material for possible use at a later date.

## AC VOLTAGE SELECTION

Your FRG-7700 is supplied with a power transformer capable of operation from 100, 120, 220, or 240 volts, as these voltages are the ones most commonly used throughout the world. Your Yaesu dealer has taken care to make sure that your radio is set up for the voltage used in your area. However, in some parts of the world, more than one voltage is available for use. It is extremely important that the FRG-7700 not be subjected to an improper supply voltage.

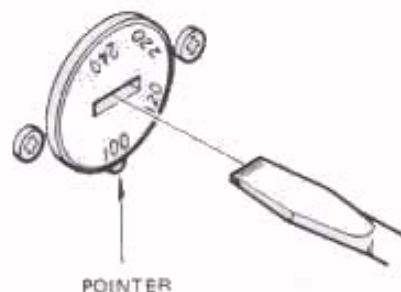
Therefore, before connecting the power cord to the radio, make absolutely certain that the voltage specification marked on the rear panel of your receiver (lower right-hand corner) matches your local supply voltage. At the same time, check to make certain that a fuse of the proper rating is installed. For 100/120 volt operation, use a 1 amp fuse. For 220/240 volt operation, use a 1/2 amp fuse. The fuse holder is located on the rear panel. NEVER remove the fuse holder when the power cord is plugged into the wall outlet.

## CAUTION

Be certain to observe the above precautions regarding power connections and fuses. Our warranty does not cover damage caused by improper supply voltage nor damage caused by use of an improper fuse.

To set the radio up for operation on a different voltage (as, for example, should you move from Europe to the United States), proceed as follows:

- (1) Disconnect the power cord from the rear of the FRG-7700.
- (2) Remove the label covering the voltage selector control on the rear apron of the receiver.
- (3) Insert a screwdriver into the slot on the voltage selector. Rotate the selector until the proper voltage is at the very bottom of the selector, in line with the pointer.
- (4) If a change is made from 100/120 volts to 220/240 volts, or vice versa, be certain that you install a fuse of the proper rating. For 100/120 volts, use a 1 amp fuse, and for 220/240 volts, use a 1/2 amp fuse.
- (5) Make a small label to indicate the new voltage specification for the receiver, and secure it over the voltage selector.
- (6) Connect the power cord to the rear panel "AC" jack, and plug the power plug into your wall outlet.
- (7) If you have any doubt about your local supply voltage, ask your Yaesu dealer. Improper supply voltage must not be applied to this instrument.



AC VOLTAGE SELECTOR



## BACKUP BATTERY INSTALLATION

Memory-equipped FRG-7700 receivers include a backup feature which will hold the memory even when the unit is unplugged from the supply voltage. The backup feature requires three AA size penlight cells (not supplied), which should be installed as shown in Figure 1. Be absolutely certain to observe the proper polarity of the batteries during installation.

Battery consumption is extremely low, but we recommend that the backup batteries be replaced once per year. If you have not used the FRG-7700 for a long time, we recommend that you inspect the penlight cells to ensure that no leakage from the batteries has occurred. Damage caused by battery leakage or improper battery polarity is not covered by our warranty.

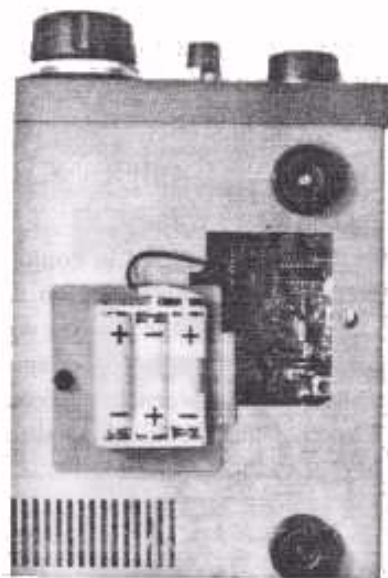


Figure 1

## GROUND CONNECTION

For best performance and safety, the FRG-7700 should be connected to a good earth ground. The ground lead should be a heavy-gauge braided cable or wire, and should be connected to the terminal marked "E" on the rear panel of the receiver.

## ANTENNA INSTALLATION

The antenna is an important part of your station installation. Without a good antenna system, it will be difficult for you to take full advantage of your FRG-7700 receiver's many high-performance features. For best reception, please follow the guidelines presented below regarding antenna installation.

### (1) Low Frequency (LF) and Medium Frequency (MF) Reception (Below 2 MHz Exclusively)

Good all-around reception will occur if a single long wire is connected to the BC terminal on the rear of the receiver. Insulate the wire at the far end, and at the point where it enters your house; ceramic insulators suitable for antenna installations are available from your Yaesu dealer. The wire itself may be either bare or insulated (plastic or vinyl covering on the wire), with the constraint that bare wire should not come in contact with trees or other obstructions.

In general, the antenna wire should be as long, high, and in the clear as possible. If these simple recommendations are followed, good reception will be easy to obtain.

### (2) Shortwave (SW) Reception (Above 2 MHz Exclusively)

Maximum performance is secured in the shortwave bands through the use of a resonant antenna having an impedance of 50 ohms at the design frequency. A center-fed "dipole" antenna cut for the most-listened-to frequency will easily satisfy this requirement. Dipole antennas should be fed with coaxial cable, and suitable antenna kits are available from your Yaesu dealer.

However, the shortwave bands are quite wide, and no dipole antenna will be resonant throughout this entire frequency range. The best course of action, then, is to cut the legs of the dipole antenna to the longest (equal) lengths that your installation area will allow. This will provide an excellent listening system for your shortwave station.

Should you wish to cut your dipole antenna for optimum performance on a particular shortwave band, the formulas of interest are:

$$\text{Length (feet)} = 468/\text{frequency (MHz)}$$

$$\text{Length (meters)} = 142.5/\text{frequency (MHz)}$$

## Notes Regarding Antenna Installations

For general reception (listening on both LF/MF and shortwave bands), the antenna connection should be made to the SW/BC terminal or the coaxial cable connector. However, should you only be interested in listening on the LF/MF bands, we recommend that the antenna be connected to the BC terminal on the rear panel of the receiver.

Use extreme caution when installing your antenna system. Every year, several people are electrocuted because their antenna touched a high-voltage wire providing their normal house current. It is extremely important that your shortwave antenna be located such that it cannot possibly come in contact with electric wires even in a disastrous windstorm.

## REMOTE TERMINAL CONNECTIONS

The REMOTE terminals are connected to a relay, which is an electronically controlled switch. In the case of the FRG-7700, the switching relay is controlled by the clock timer, allowing you to control the operation of a tape recorder or other equipment simply by the proper setting of your FRG-7700 clock controls. The "N.O." terminal is "normally open," which means that the relay will cause no connection to be made from the center pin to ground until the timer activates the relay. The "N.C." terminal is "normally closed," which means that the relay contacts will cause a connection to be made between center pin and ground







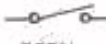
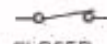
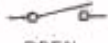

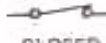
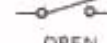
until the relay is activated; the relay will then open the connection.

Most tape recorders have a "footswitch" connection which allows external control. In some cases, this external on/off control line is incorporated into the microphone cord. Closing an external switch then allows the tape recorder to be turned on. To use this kind of tape recorder with the FRG-7700, connect a shielded cable from the tape recorder footswitch jack to the FRG-7700 "N.O." jack, and connect a shielded cable from the FRG-7700 "REC" jack on the front panel to the tape recorder "LINE IN" or "MIC" jack, depending on the levels accepted by your tape recorder. Remember that the REC jack on the FRG-7700 is not controlled by the AF GAIN control, but the EXT SP jack is; you may want to connect your audio input line differently in your case.

Details of the operation of the timer are included in the "Operation" section of this manual. Table 2 indicates the position of the relay contacts tied to the REMOTE terminal.

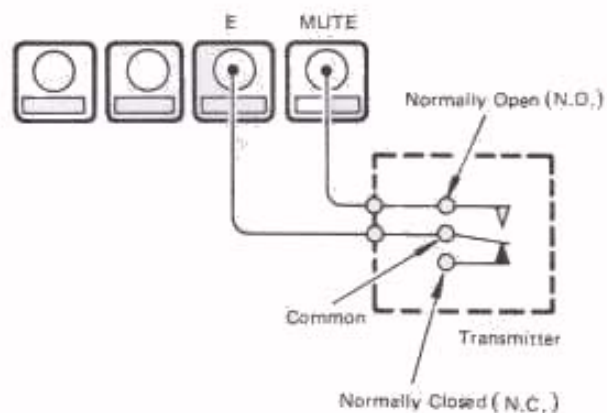
## MUTE CONNECTION

When the FRG-7700 is used in conjunction with a transmitter, the MUTE terminal on the rear panel may be used to silence the receiver when transmitting. Do not forget to use a relay for external antenna switching between the receiver and transmitter. Shorting the MUTE terminal to ground will cause the receiver to be silenced.

TIMER FUNCTION	N.O. Terminal		N.C. Terminal		FRG-7700 (with POWER SW OFF)
ON TIMER	 OPEN	 CLOSED	 CLOSED	 OPEN	ON at the programmed time
OFF TIMER	 CLOSED	 OPEN	 OPEN	 CLOSED	OFF at the programmed time
SLEEP TIMER	 OPEN	 CLOSED	 CLOSED	 OPEN	OFF after the programmed period of time

— When the timer is activated

Table 2



### INTERCONNECTION WITH YR-901 MORSE CODE/TELETYPE READER

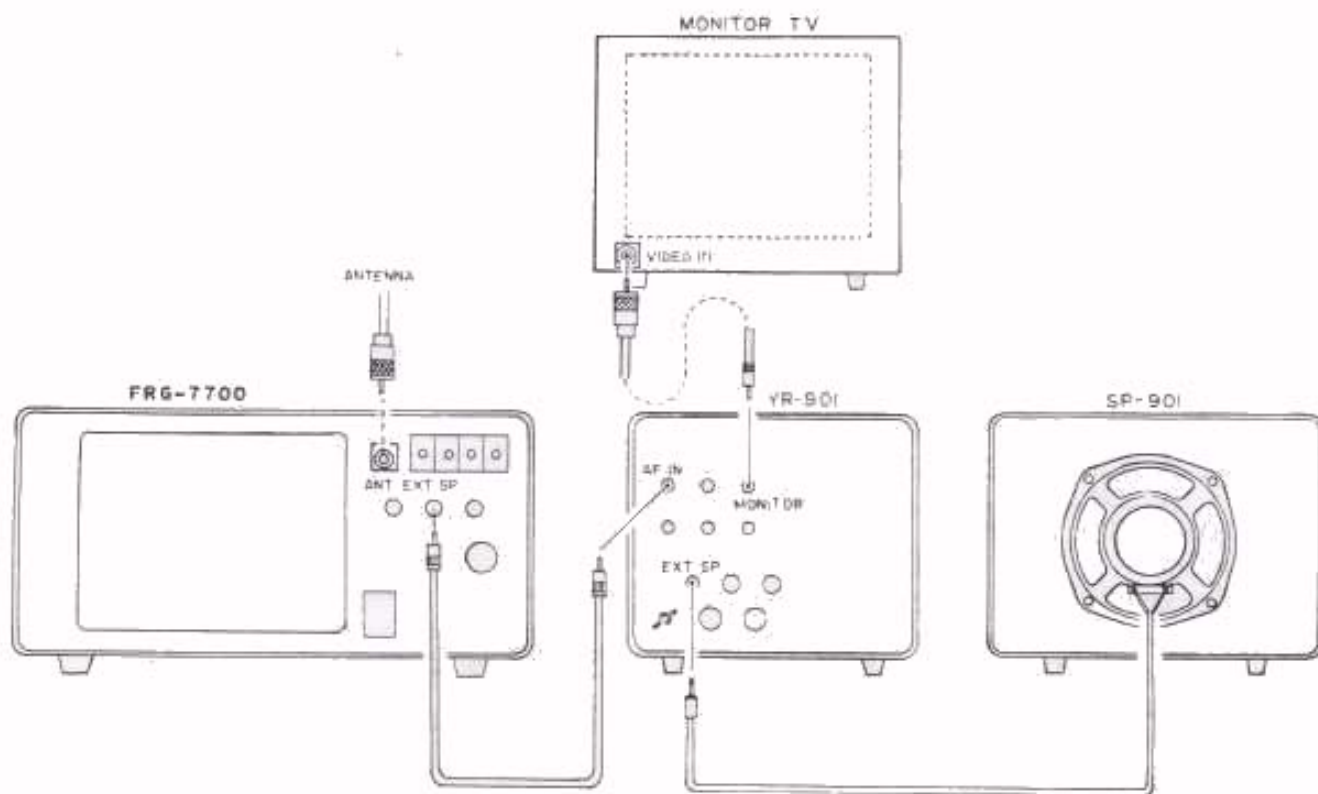
The YR-901 is a high-performance computerized translator which will allow display on a video monitor of incoming Morse Code and/or teletype (RTTY) signals. The YR-901 and YVM-1 Video Monitor are options available from your Yaesu dealer.

Complete operation instructions are included with the YR-901. Please refer to the drawing below for details of the extremely simple interconnection required. Please note that the SP-901 speaker is not mandatory for use with the YR-901, as the latter includes a built-in speaker.

### PHYSICAL LOCATION OF THE FRG-7700

The FRG-7700 will perform well in any location that allows free passage of air around the cabinet. Solid state equipment such as the FRG-7700 should not, however, be used in extremely hot environments unless some provision is made (external fan, etc.) for keeping the station temperature less than 40°C.

The YR-901 will allow you to see for yourself late-breaking teletype news as it comes from abroad on circuits used by the international news services. Amateur radio Morse Code and teletype communications, and a host of other exotic transmissions will unfold before you on the video screen. See your Yaesu dealer for details.



FRG-7700/YR-901/YVM-1/SP-901

## MEMORY UNIT INSTALLATION

The optional Memory Unit is easy to install in a matter of minutes. Please follow the below instructions carefully, in order to make the proper connections.

- (1) Remove the small cover from the bottom of the receiver, as shown in Fig. 2.
- (2) Connect the six plugs which are fastened to the cover to the appropriate jacks on the Memory Unit, as shown in Fig. 3.
- (3) Mount the Memory Unit with the supplied self-tapping screws (4 pcs), as shown in Fig. 4, being sure that no wire from inside the unit is protruding.

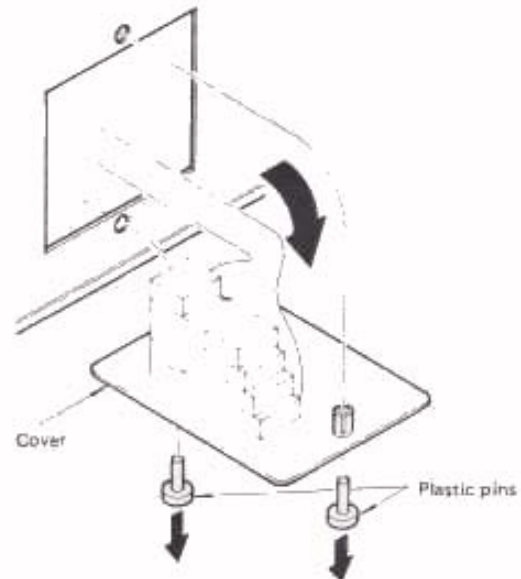


Figure 2

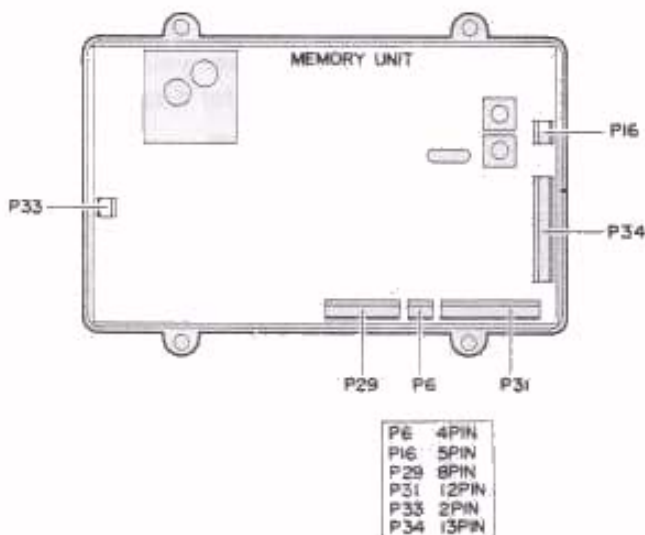


Figure 3

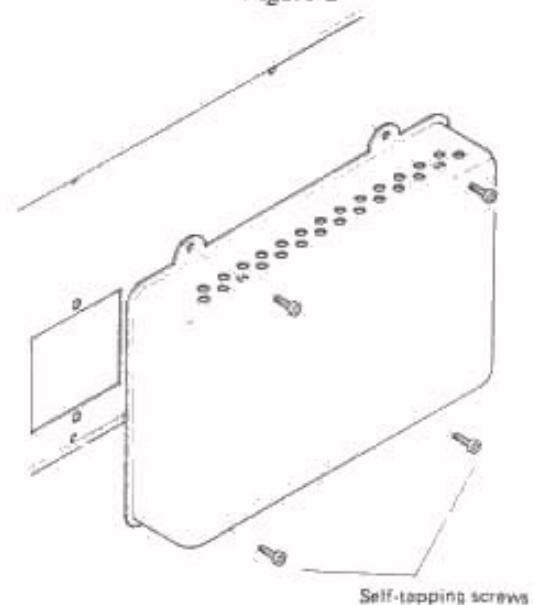


Figure 4

## BOTTOM PANEL FEET

The feet on the bottom of the receiver may be changed, should you desire to change the viewing angle for the FRG-7700. The extender feet, packed in the accessory kit for the receiver, may be installed at the front or back, depending on the viewing angle desired. When repacking the receiver for shipping, be certain to replace the original feet. Refer to Figure 5 for mounting details for the bottom panel feet.

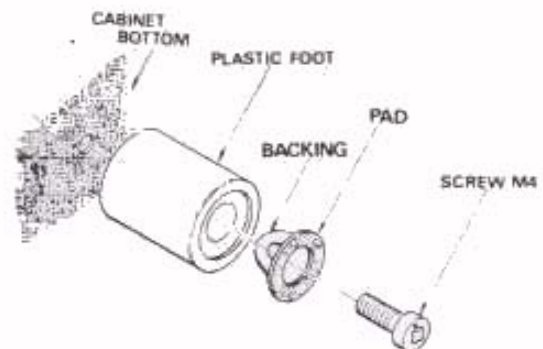


Figure 5

## OPERATION

Operation of the FRG-7700 is extremely straightforward. However, the owner should read the pages to follow carefully so as to derive maximum performance from this equipment. Before attempting operation, make certain that all power, antenna, and ground connections have been made correctly.

### FREQUENCY SELECTION

The operating frequency is read directly from the digital display. All digits of the operating frequency are displayed, with resolution to 1 kHz. The BAND switch is calibrated in 1 MHz steps, from 0 MHz through 29 MHz, with an additional 10 steps being provided for instant presetting to the bands containing the amateur radio (ham) bands.

To select a frequency, first set the BAND switch to the desired 1 MHz segment, then rotate the main dial to select the last three digits of the frequency. A coarse frequency determination may also be made through the main dial window, which is calibrated every 10 kHz.

### AM BROADCAST RECEPTION

- (1) Virtually all commercial broadcast stations in the MF and HF bands use the AM (Amplitude Modulation) mode of operation. To begin, turn the power switch on, and set the mode switch to AM M (AM mode, medium bandwidth).
- (2) Tune in an AM station to the point where the S-meter reading reaches a maximum.
- (3) If there is very heavy interference, you may wish to set the mode switch to the AM N (AM mode, narrow bandwidth) position. This will provide maximum rejection of adjacent-frequency interference, although the narrower bandwidth will cause some rejection in fidelity. Conversely, if there is very little interference, you may switch to the AM W (AM mode, wide bandwidth) position. This will provide maximum fidelity because of the wider bandwidth.
- (4) The TONE control on the front panel may be used to vary the audio response characteristics

of the receiver. For example, if you are troubled by a high-pitched "heterodyne" signal, rotate the TONE control in a counter-clockwise direction to reduce this interference.

- (5) When extremely strong signals are encountered, the operator may want to reduce the level of these signals. Rotate the ATT (Attenuator) control on the front panel clockwise to reduce the strength of the incoming signals. Should you desire to activate a fixed 20 dB attenuator, set the rear panel ATT switch to LOCAL. For most listening, though, leave this switch set to the DX position.
- (6) For reduction in impulse-type noise (automobile ignition, etc.), push the NB (Noise Blanking) switch. This circuit is highly effective in minimizing this type of interference, although no noise blanker can be expected to eliminate all types of noise.
- (7) An Automatic Gain Control (AGC) circuit is included in your FRG-7700. This feature keeps signal strengths adjusted to a constant level under conditions of fading. When rapid fading conditions are encountered, you may want to set the AGC switch to FAST, as the use of the SLOW position might cause a weak signal to be obliterated by an adjacent-frequency station which is much stronger. With some experience, the operator will soon learn the proper settings of the MODE and AGC switches for operation under a variety of conditions.

### AMATEUR RADIO (HAM) BAND RECEPTION

Amateur radio operators use a variety of operating modes on the HF bands. However, your FRG-7700 is well equipped to receive the various types of ham signals encountered in day-to-day operation.

#### SSB Voice Signals

- (1) Amateur radio operators use lower sideband (LSB) on the bands below 10 MHz, and upper sideband (USB) above 10 MHz. Set the mode switch accordingly.

- (2) Turn the power switch on. The meter lamp and digital display will become illuminated.
- (3) Rotate the ATT control fully counterclockwise, and adjust the AF GAIN control for a comfortable listening level.
- (4) Now rotate the main tuning dial until a voice signal is found. Careful adjustment of the main tuning dial will result in excellent clarity on the incoming SSB signal. Under conditions of rapid fading, set the AGC switch to FAST.
- (5) When pulse-type ignition noise is encountered, push the NB switch.
- (6) Adjacent frequency interference may be reduced substantially by counterclockwise rotation of the TONE knob. As well, advancing the ATT knob in a clockwise direction may result in some reduction of interference from a strong adjacent station; such a station may be so strong that the AGC control may cause the receiver to be "pumped," and reduction of the receiver front end gain will reduce this effect.
- (7) Note that the bandswitch contains nine bands which correspond to the amateur radio allocations. This allows simplified band changing when listening to amateurs. The 10, 18, and 24 MHz bands, newly assigned to the amateur service, are not yet approved for amateur operation in most countries, and no amateur operations will be heard until this action is taken by the governments involved.

### Morse Code (CW) Reception

Morse Code transmissions may be received by placing the mode switch in either the USB or LSB/CW position. The operator will find that adjacent-frequency interference conditions will be less on one or the other of the above modes, and that position should be used until conditions change. The main tuning dial should be rotated until a comfortable listening pitch is obtained.

### Frequency Modulation (FM) Reception

Frequency modulation operation is becoming more popular on the 29 MHz amateur band. As well, the operator may wish to use the FRG-7700 with a VHF/UHF converter, for listening to FM repeater operation on the VHF and/or UHF bands. Set the mode switch to FM, and rotate the main tuning dial until the best fidelity on the incoming signal is obtained.

For FM operation, the front panel squelch (SQL) control should be advanced to the point where the receiver is just silenced when no signal (only noise) is being received. This will allow silent monitoring during long periods when no stations are active.

### MEMORY OPERATION

The memory feature provides a means of storing frequencies you may want to recall at a later time. Up to twelve stations may be stored in memory. Here is the simple procedure for memory storage and recall:

- (1) Set the M FINE control to the 12 o'clock position. Rotate the M CH switch to memory channel 1.
- (2) Tune the receiver to the desired station, being careful to tune for best clarity and fidelity. Press the M (Memory) button. The station is now stored. Continue tuning for additional stations, if desired, and store them in the other memory channels.
- (3) To recall a station previously stored, rotate the M CH switch to the appropriate channel, and press the MR (Memory Recall) button. If several stations are stored in the various memory channels, simply rotate the M CH switch to the desired station.
- (4) To return control to the main tuning dial, simply push the MR button again. The MR lamp will turn off, and normal tuning will again be possible. The stations stored in memory will not be lost if you release the MR switch; just press it again to return to the memory.

- (5) Note that stations on different bands may be stored in memory. Once stored, they may be recalled without the need to rotate the band switch to the appropriate band. In other words, you may store stations in the 11 MHz, 15 MHz, and 21 MHz bands as you tune them in using the band switch and main tuning dial; once you press the MR button, you only need to rotate the M CH switch to recall these stations, with no change in the position of the bandswitch required.
- (6) The M FINE control may be used to provide fine tuning of  $\pm 1$  kHz from a memorized frequency. This may be necessary should the memorized station begin to drift, or should propagation conditions cause new interference to appear on frequency. Judicious use of the AM N position of the mode switch, along with the M FINE control, will provide solid copy on many stations that might otherwise be obliterated by interference.

## DIGITAL CLOCK OPERATION

The built-in digital quartz clock is a highly accurate timepiece which adds convenience and flexibility to your FRG-7700 station. The clock will operate so long as the receiver is plugged in, and it will also operate off of the memory backup batteries. When the receiver is initially plugged in, the clock will indicate AM 1:00 and will begin counting. Setting the time is a simple procedure, as shown below.

Example: set the clock to 5:25:00 PM

- (1) Place the FUNCTION switch in the CLOCK position, then push and hold the HOUR SET button. The minutes and seconds will reset to zero. Tune in WWV at 10 MHz (or another international time standard) on the receiver. When the time standard ticks off the start of a new minute, release the HOUR SET button. This will align the count of the seconds to the international time standard.
- (2) Push the HOUR button to advance the hour digit to 5:00. If the HOUR button is held for more than two seconds, the hour digits will advance rapidly until the HOUR button is released.
- (3) Push the MINUTE button to advance the minute digit to 25. When the MINUTE button is pressed and held, the digits will advance rapidly, in the same manner as the hour digit.
- (4) The clock should be accurate within 15 seconds per month. When setting the clock, be certain that the appropriate AM/PM digit is illuminated.

## TIMER OPERATION

Four timer functions are available. They are:

### ON Timer

In this mode, the receiver is turned on at a pre-programmed time.

### OFF Timer

In this mode, the receiver is turned off at a pre-programmed time.

### ON/OFF Timer

In this mode, both the on and off times are preset for power control on the receiver.

### SLEEP Timer

In this mode, you may set a listening time of up to 59 minutes, after which the receiver will turn off.

To set the timer for on/off automatic control of the FRG-7700, proceed as follows (example—on time 10:30 AM, off time 11:30 AM)

- (1) Set the POWER switch to OFF, and set the function switch to the ON position.
- (2) Set the display to 10:30 AM by pushing the HOUR and MINUTE buttons, in the same way as you did when you preset the clock earlier.
- (3) Set the function switch to OFF. Set the display to 11:30 AM by pushing the HOUR and MINUTE buttons.
- (4) Push the TIMER switch to activate the timer. The FRG-7700 will turn on at 10:30 AM, and turn off at 11:30 AM. Be certain to observe the AM or PM lamps when programming the on and off times.

- (5) If you want to turn the receiver off before the programmed off time, push the **TIMER CLEAR** button.

To set the sleep timer, proceed as follows:

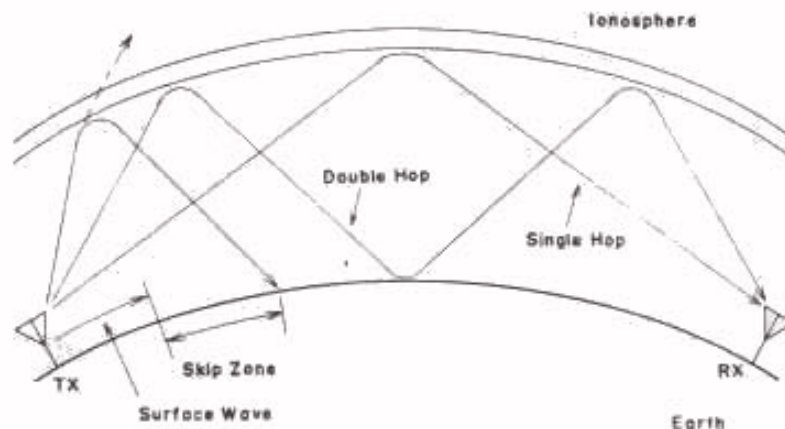
- (1) Turn the **POWER** switch **OFF**, and set the function switch to the **SLEEP** position.
- (2) Push the **MINUTE** switch once. This will cause the sleep time to count back from the 59 minute mark by one minute. Holding the **MINUTE** button down will cause the time to change rapidly, in the same manner as described earlier. If you set the display to 40, the receiver will stay on for 40 minutes, then shut off.
- (3) If you want to turn the receiver off before the programmed off time, push the **TIMER CLEAR** button.

## NOTES REGARDING PROPAGATION OF SHORTWAVE SIGNALS

While a complete discussion of the physics of shortwave radio signal propagation is well beyond the scope of this manual, some guidelines are presented below to help the shortwave listener to choose the optimum listening frequency for the time of day and the time of year in which you are operating. This discussion will also help you when you are reading the schedules of overseas broadcast stations; you will soon be able to know instantly why you cannot expect to hear Tokyo on 3.9 MHz at 1:00 in the afternoon.

Shortwave signals are transmitted by huge stations running many thousands of watts of power. Their antenna systems are elaborate and expensive. But all of this equipment would be useless were it not for a property of the ionosphere (a layer of the atmosphere high above the earth) which causes signals to be reflected back to earth when they strike the ionosphere.

Depending on several factors, including the time of day, the time of year, and the current state of solar activity (determined primarily by "sunspots"), the optimum frequency for reflection over a particular distance will change. Another aspect that can be noted is that, for a particular frequency on which you are operating, the distance over which signals will be propagated will change. Thus, in order to hear stations 12,000 km away over a long period of time on a particular day, you will likely have to change your operating frequency (consistent with the broadcast station schedules!) in order to take advantage of changing propagation conditions.





As a general rule, daytime propagation conditions will be best on frequencies from about 12-14 MHz and higher. Propagation at night will generally be best on the 2-15 MHz bands. These general rules often have exceptions, of course; during periods of high solar activity, the 21 MHz band may, for example, be excellent for long-distance propagation well into the night. However, it would be highly unusual for the bands below about 8 MHz to support transoceanic propagation throughout the daytime period.

When reading broadcast station schedules, one must consider not only the time of day at one's own location, but also the time of day at the transmitter location. Let us examine the example of two broadcast stations, one in Tokyo and one in Moscow, both operating on 6 MHz at 6:00 PM local time (for our example, let us say that you live in New York City, USA). Because there are nighttime conditions across most, if not all, of the North Atlantic path that a signal would follow on its way from Moscow to New York, one would normally have a good chance of receiving the broadcast from Moscow. However, the path from Tokyo to New York is largely a daylight path, and our rule of thumb discussed earlier would tell us that it would be difficult, if not impossible, to hear Tokyo at that time on that frequency.

However, if one reads further down the schedule of the Tokyo schedule, a broadcast on 15 MHz at the same time may be found. The 15 MHz region ( $\pm 5$  MHz) is a middle ground which often supports round-the-clock propagation. You would have a much better chance of hearing Tokyo on 15 MHz, because the path is largely over daylight.

Broadcast station managers are well aware of this phenomenon, and this is the reason why their schedules indicate "North American Service" or "Programming Beamed at Southeast Asia." They take propagation conditions into consideration, and aim their antennas carefully, so as to have the best chance of reaching their target area at a time when people will be at home to listen.

The time of year is important for several reasons. For example, at 4:00 PM in New York in June, the sun is still high in the sky. But at 4:00 PM in December, twilight is fast approaching, and nighttime conditions are taking over on the North Atlantic path. Broadcast station managers adjust their schedules so as to use the lower frequencies (below 10 MHz) more heavily in the winter months, because of the increased distance covered by darkness during the winter.

Signals do not always follow the shortest distance from point A to point B (called the "Great Circle" path). They sometimes follow a bent path, or one exactly the opposite of the great circle. This is why it is sometimes possible to hear Tokyo from New York on 7 MHz late in the afternoon in the winter, even though the Great Circle path is in daylight; the signals are traveling along a darkness path around the world. The fact that many stations are louder, and that the transmitting antenna may not be beamed on the optimum path at that time, makes reception extremely difficult. But this is the excitement of shortwave listening—hearing the unexpected. Under tough conditions such as this, the AM-N (narrow bandwidth) position of the mode switch will prove itself to be a highly useful feature.

To conclude our discussion on propagation conditions, we would stress the following general rules. First, use the higher frequencies (15 MHz and up) as your main daylight bands. Secondly, use the low frequencies (below 1 MHz) as your prime nighttime bands. Thirdly, look for peaks in propagation when there is sunrise or sunset at one end or another of a propagation path. For example, look for a peak in 26 MHz propagation towards the East for the hour or so after your sunrise, and toward the West around your sunset.

Careful planning of your operating times, proper choice of listening frequencies, and diligent study of schedules from overseas broadcast stations will pay rich dividends in entries in your log book. We hope that this section will have helped you understand the fascinating world of shortwave radio propagation better.



## CIRCUIT DESCRIPTION

Reference to the block diagram and the following circuit description will provide you with a better understanding of the design of this receiver. The FRG-7700 is a superheterodyne receiver using up-conversion to a first IF (Intermediate Frequency) of 48 MHz. Synthesized local oscillators are used for both the first and second mixers, providing a high degree of frequency stability.

### RECEIVER SIGNAL FLOW

The RF (Radio Frequency) signal from the antenna is fed through the defeatable RF attenuator to the MAIN Unit. The signal is passed through a low-pass filter ( $f_c = 30$  MHz), consisting of  $L_{1001}$ ,  $C_{1001}$ ,  $C_{1002}$ , and then through bandpass filters for the following ranges: 150 kHz – 1 MHz, 1 – 2 MHz, 2 – 4 MHz, 4 – 8 MHz, 8 – 16 MHz, and 16 – 30 MHz. Selection of the filter to be used is provided by diode switches  $D_{1001} - D_{1012}$  (1SS53), which are driven by  $Q_{1013}$  (MC14555),  $Q_{1001} - Q_{1006}$  (2SA733), and  $Q_{1007} - Q_{1012}$  (2SA945A-Q), according to the setting of the band switch.

The signal is then amplified by RF amplifier  $Q_{1014}$  (3SK73GR), a dual-gate MOS FET with superior linearity and low noise figure. The amplified signal is then fed through buffer  $Q_{1015}$  (2SK125) to the first mixer, where the RF signal is mixed with the first local oscillator signal (48.055 – 78.055 MHz) delivered from the PLL Unit, resulting in a 48.055 MHz first IF. This up-conversion technique provides superior image rejection characteristics when compared with conventional designs.

The first IF signal is amplified by  $Q_{1018}$  (2SK125) and fed through crystal filter XF<sub>101</sub>, which has a 20 kHz bandwidth at –6 dB, providing protection from in-band intermodulation distortion while allowing sufficient bandwidth for effective noise blanking. The signal is then delivered to the second mixer, where the 48.055 MHz first IF signal is mixed with a 47.6 MHz local oscillator signal from the PLL Unit, producing a 455 kHz second IF signal.

The 455 kHz signal is passed through a ceramic filter, CF<sub>1001</sub> (20 kHz/–6 dB) and noise blanker gate diodes  $D_{1020}/D_{1021}$  (1SS53) to the main IF filters: CF<sub>1002</sub> (SSB/AM-N), CF<sub>1003</sub> (AM-M), and CF<sub>1004</sub> (AM-W), with filter selection made via the

mode switch. The filtered IF signal is then delivered to the main IF amplifier chain, consisting of  $Q_{1024}$ ,  $Q_{1025}$  (3SK73GR), and  $Q_{1026}$  (2SC945A-Q).

In the SSB and CW modes, the IF signal is coupled to the product detector, a diode ring demodulator consisting of  $D_{1030} - D_{1033}$  (1N60), which converts the IF signal into audio using the carrier signal delivered from  $Q_{1032}$  (2SC945A-Q). The audio signal is fed to the audio amplifier,  $Q_{1034}$  ( $\mu$ PC575C2), which delivers 1.5 watts of audio power to the speaker.

In the AM mode, the IF signal is coupled from  $Q_{1026}$  via  $C_{125}$  to buffer amplifier  $Q_{1027}$  (2SC945A-Q). The signal is then detected at  $D_{1028}/D_{1029}$  (1N60), and the resulting audio signal is fed to the audio amplifier via buffer amplifier  $Q_{1030}$  (2SC945A-Q).

### NOISE BLANKER CIRCUIT

A portion of the output from the second mixer is fed through buffer  $Q_{1021}$  (2SC945A-Q) to amplifiers  $Q_{1038}$  and  $Q_{1039}$  (2SC945A-Q). When a carrier or noise-free modulated signal is received, the IF signal is rectified by  $D_{1037}$  and  $D_{1038}$  (1N60), producing a DC voltage. The DC voltage is amplified by  $Q_{1040}$  (2SC945A-Q) and fed to gate 2 of  $Q_{1036}$  and  $Q_{1037}$ , controlling the gain of those stages.

When pulse noise is received,  $D_{1035}$  and  $D_{1036}$  (1SS53) rectify the IF signal, producing a DC voltage which controls the noise blanker switching diodes ( $D_{1020}/D_{1021}$ ). Noise pulses have a very short duration, but extremely high amplitude. Because of the very slow time constant of the AGC circuit feeding back to  $Q_{1036}$  and  $Q_{1037}$ , these short duration pulses will not induce AGC action, and those stages will operate at full gain. When a pulse is received, however,  $Q_{1027}$  biases  $D_{1020}$  and  $D_{1021}$  to block the signal path momentarily.

When a noise pulse and a desired signal are received simultaneously, the blanking action is not impaired, because the relative amplitude difference between the desired signal and the noise pulse is high.

### AGC CIRCUIT

A portion of the output from the AM detector is fed to DC amplifiers  $Q_{1028}$  and  $Q_{1029}$  (2SC945A-Q). This amplified DC voltage is applied to gate 2 of the RF and IF amplifiers, controlling the gain of those stages.

### MUTE CIRCUIT

$Q_{1035}$  is normally in the "ON" state, providing normal bias voltage to gate 1 of  $Q_{1014}$  and  $Q_{1024}$ . When the MUTE terminal is shorted to ground,  $Q_{1035}$  turns off, removing the bias voltage from the above transistors, thus silencing the receiver.

### CLOCK AND DIGITAL DISPLAY CIRCUIT

A Large Scale Integration (LSI) chip,  $Q_{1046}$  (MSM5524), controls both the display of the operating frequency and the time. An 0.455 – 30.455 MHz signal from the PLL Unit is amplified by  $Q_{1041}$ ,  $Q_{1042}$ , and  $Q_{1043}$  (2SC1674L), then fed through divider (1/10)  $Q_{1044}$  (SN74LS196) to the LSI chip. The output from  $Q_{1046}$  is fed to the fluorescent display tube, (DS1001), through segment drivers  $Q_{1052}$ – $Q_{1058}$  (2SA733A-Q).  $Q_{1060}$  and  $Q_{1061}$  act as a DC-DC converter, providing –25 volts DC for the display tube.

The timer control output from the LSI activates relay  $RL_{1001}$ , which controls the receiver main power supply ON/OFF function.  $RL_{1001}$  also is connected to the REMOTE terminals on the rear panel of the receiver, for control of peripheral station equipment.

### PLL CIRCUIT

The first and second local signals (48.055 – 78.055 MHz and 47.6 MHz, respectively) are generated by the dual-loop PLL (Phase Locked Loop) circuit.

A 44.055 – 45.055 MHz signal is generated by VCO (Voltage Controlled Oscillator)  $Q_{2028}$  (2SC945A-Q) in PLL Loop 1. This signal feeds mixer  $Q_{2030}$  (SN16913P), where the VCO signal is mixed with a 47.6 MHz signal generated by crystal oscillator  $Q_{2016}$  (2SC535A), producing a 3.545 –

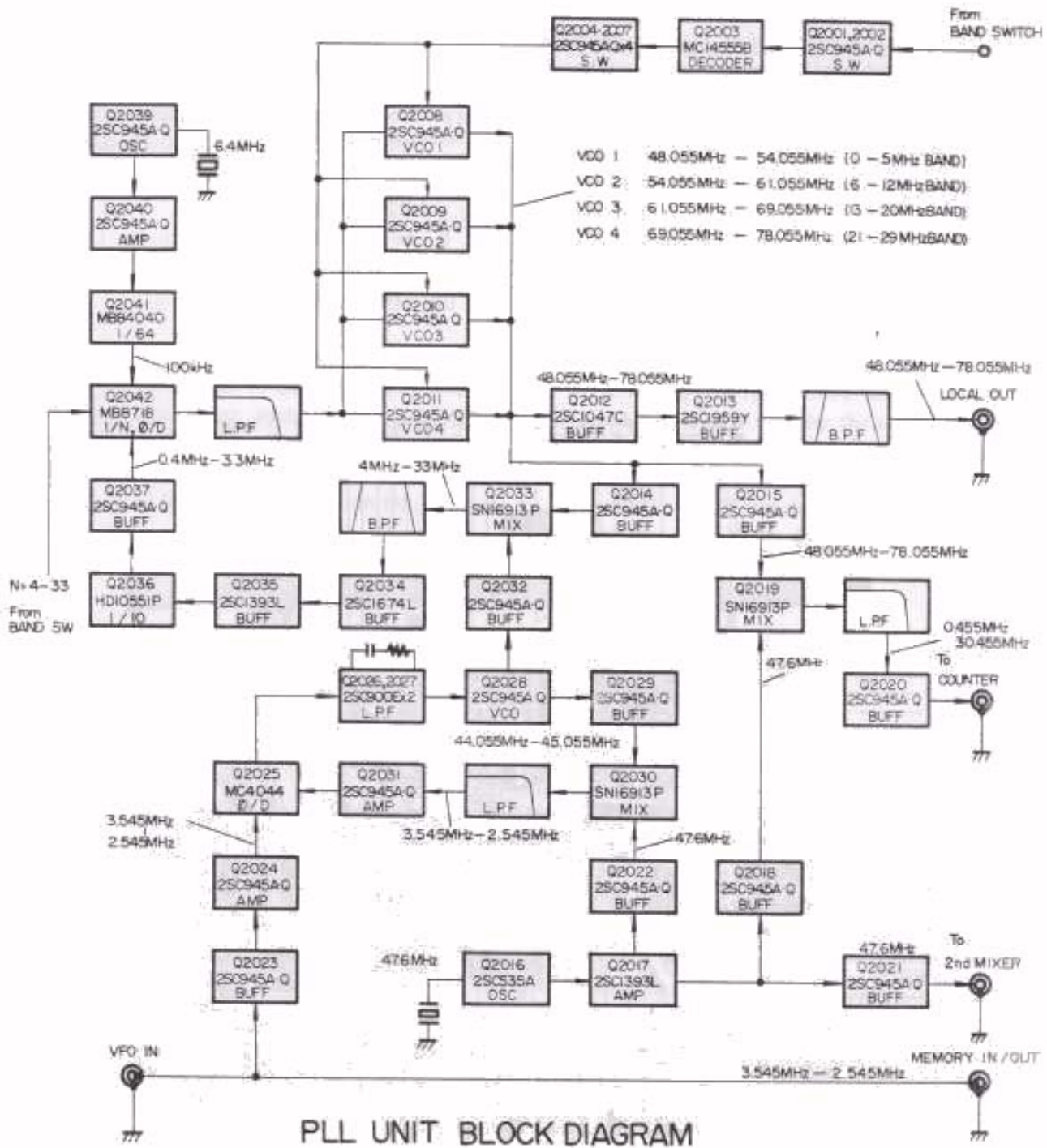
2.545 MHz signal which is fed to phase detector  $Q_{2025}$  (MC4044P). The phase detector compares the phase of the input signal with that of the VFO signal delivered via  $Q_{2024}$  (2SC945A-Q); any phase difference is converted to a DC control voltage, which is fed to varactor diodes in the VCO circuit, in order to correct the phase difference and lock the input signal with the VFO signal.

In PLL Loop 2, there are four VCO circuits which are selected by the bandswitch, with the net result being an output signal of 48.055 – 78.055 MHz. This signal is fed to mixer  $Q_{2033}$  (SN16913P), where the input signal is mixed with the 44.055 – 45.055 MHz signal delivered from PLL Loop 1, producing a 4 – 33 MHz signal. This signal is fed through divider (1/10)  $Q_{2036}$  (HD10551P) to phase detector  $Q_{2042}$  (MB8718), which also contains a programmable divider.

Phase detector  $Q_{2042}$  compares the phase of the signal from the onboard programmable divider and that of the 100 kHz reference signal generated by  $Q_{2039}$ ,  $Q_{2040}$  (2SC945A-Q), and  $Q_{2041}$  (MB84040), producing an error-correcting DC voltage. The dividing ratio of the programmable divider is selected by the bandswitch. The error-correction voltage is fed to varactor diodes in VCO/1 – VCO/4, thus locking a highly stable 48.055 – 78.055 MHz signal, which will be used as the first local signal. The VCO output is fed through buffers  $Q_{2012}$  (2SC1047C) and  $Q_{2013}$  (2SC1959Y) prior to delivery to the first mixer.

The second local signal (47.6 MHz) is generated by  $Q_{2016}$ , then amplified by  $Q_{2017}$  (2SC1393L) and fed through buffer  $Q_{2021}$  (2SC945A-Q) prior to delivery to the second mixer.

A portion of the first local signal is fed to mixer  $Q_{2019}$  (SN16913P), where the signal is mixed with the 47.6 MHz second local signal, producing a signal at 0.455 – 30.455 MHz which is fed to the LSI chip in the counter for display of the operating frequency.





### (3) First and Second IF Adjustment

Set the MODE switch to the LSB/CW, the ATT switch to the DX position, and rotate the ATT control fully counterclockwise. Connect a signal generator to the antenna jack,  $J_1$ , and set its frequency to 8.01 MHz. Tune the receiver to 8.01 MHz, set the signal generator output to a level sufficient to obtain deflection of the S-meter, and adjust  $T_{1004}-T_{1008}$  and  $T_{1011}-T_{1014}$  for a maximum S-meter reading.

### (4) S-Meter Sensitivity and Full Scale Adjustment

- Preset the controls, switches, and dial frequency as in step 3. Set the signal generator output level to 8 dB (ref: 0 dB = 1 $\mu$ V). Adjust  $VR_{1002}$  so that the S-meter just begins to move off the left-hand peg on its scale.
- Set the signal generator output level to 90 dB.

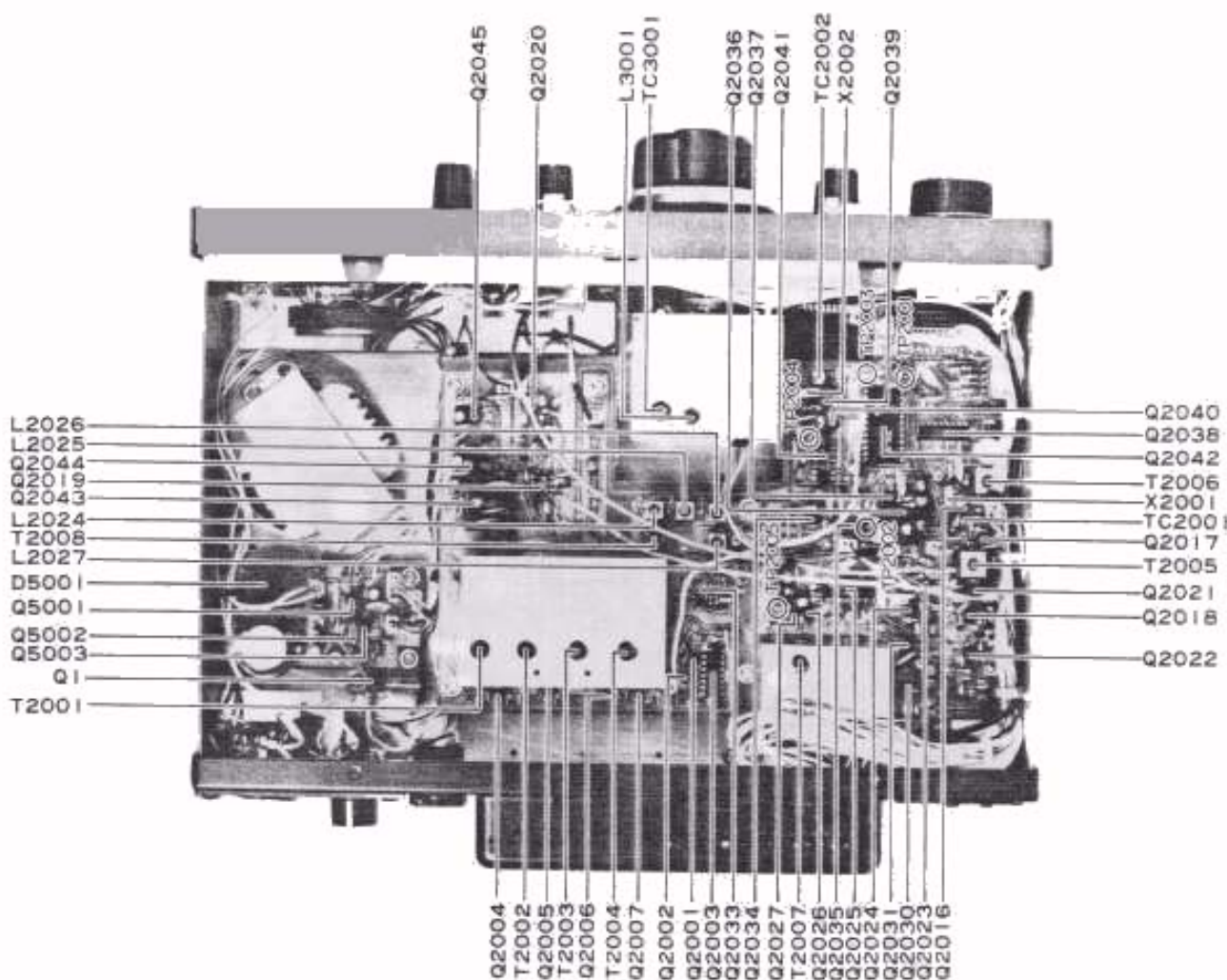
Adjust  $VR_{1004}$  for a full scale reading on the S-meter.

### (5) NB Adjustment

- Connect a VTVM to the source of  $Q_{1037}$ , and a signal generator to antenna jack  $J_1$ . Set the signal generator output level to 20 dB, output frequency to 8.01 MHz, and adjust  $T_{1015}-T_{1017}$  for a minimum reading on the VTVM.
- Connect a noise generator to antenna jack  $J_1$ , and press the NB switch. Adjust  $VR_{1001}$  for a minimum noise level from the speaker.

### (6) Trap Adjustment

Connect a signal generator to antenna jack  $J_1$ , and set its frequency to the first IF frequency, 48.055 MHz. Set the signal generator output level to a level sufficient to obtain deflection on the S-meter, then  $T_{1002}$  for a minimum reading on the S-meter.



BOTTOM VIEW

## PLL UNIT

### (1) PLL Reference Oscillator Adjustment

Set the MR switch to off, and connect a frequency counter to pin 9 of Q<sub>2001</sub>. Adjust TC<sub>2002</sub> for a reading of exactly 3.2 MHz on the counter.

### (2) PLL Local Alignment

- a. Connect the RF probe of a VTVM to pin 1 of J<sub>2005</sub>. Adjust T<sub>2005</sub> and T<sub>2006</sub> for a maximum meter reading on the VTVM (typical value: 100-200 mV RMS).
- b. Connect a frequency counter to pin 1 of J<sub>2005</sub>. Adjust TC<sub>2001</sub> for a reading of exactly 47.6 MHz on the counter.

### (3) VCV Line Adjustment

- a. Connect the DC probe of a VTVM to TP<sub>2005</sub> (PLL Unit), and rotate the main dial to the "1000" position on the analog dial. Adjust T<sub>2007</sub> to secure a reading of 7 volts on the VTVM.
- b. Rotate the main dial to the "0" position on the analog dial. Make certain that the voltage is within the range of 1.5 - 2.0 volts.
- c. Connect the VTVM DC probe to TP<sub>2003</sub>, and rotate the main dial to the "1000" position.

Set the BAND switch to the 5 MHz band, and adjust T<sub>2004</sub> to secure a reading of 7.4 volts on the VTVM.

- d. Change the BAND switch to the 12, 20, and 29 MHz band positions; and adjust VCO coils T<sub>2003</sub>, T<sub>2002</sub>, T<sub>2001</sub>, respectively, to secure readings of 7.4 volts on the VTVM.
- e. Set the BAND switch to the 21, 13 and 0 MHz band positions, and rotate the main dial to the "0" position on the analog dial. Make certain that the voltages at TP<sub>2003</sub> are within the range of 1.5 - 2.0 volts.

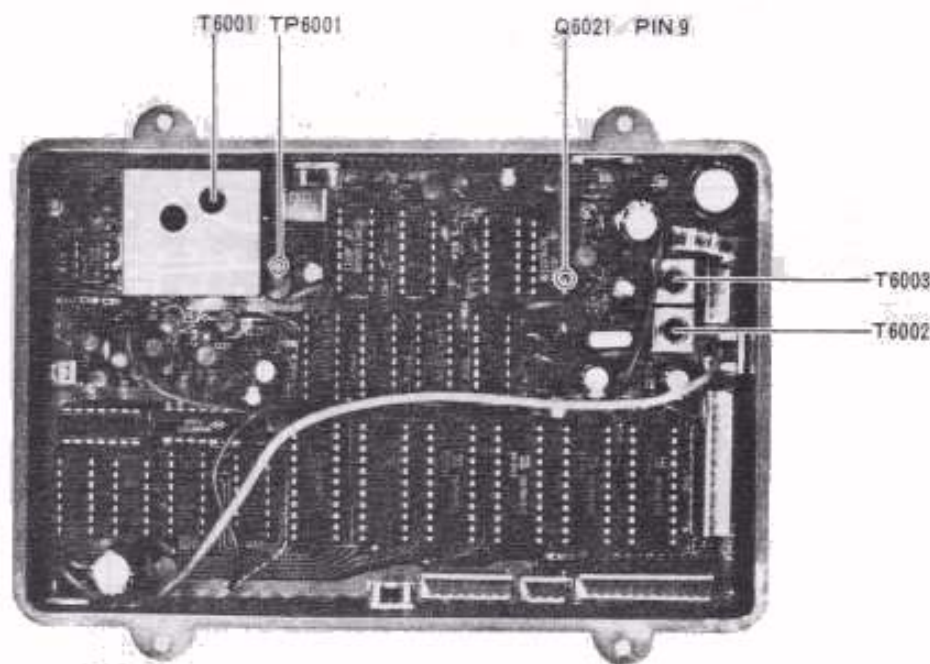
## MEMORY UNIT

### (1) M FINE Adjustment

Set the M FINE control to the 12 o'clock position, and connect a frequency counter to pin 9 of Q<sub>6021</sub>. Adjust T<sub>6003</sub> for a reading of 8.192 MHz on the counter.

### (2) VCV Line Adjustment

Initially set the MR switch in the OFF position, and connect a VTVM to TP<sub>6001</sub>. Rotate the main dial to the "0" position on the analog skirt, and push the M button. Then press the MR button, and adjust T<sub>6001</sub> to secure a reading of 6.6 volts on the VTVM.



MEMORY UNIT



# PARTS LIST

MAIN CHASSIS				PLUG	
Symbol No.	Part No.	Description			
	F0002174	Printed Circuit Board	P3,4,9-11,18,19, 21,26,32,33,35, 37,38,40	P1090187	PI051-02F
		<b>TRANSISTOR</b>	P2,14,22,39	P1090188	PI051-03F
Q1	G3402880K	2SD288K	P1,5,6,12,20,25	P1090153	PI051-04F
		<b>DIODE</b>	P7,8,13,15,16	P1090154	PI051-05F
			P17,24	P1090156	PI051-07F
D1	G2090147	LED TLG208	P23,27-29	P1090157	PI051-08F
D2	G2090151	TLY208	P30,31	P1090161	PI051-12F
		<b>RESISTOR</b>	P34	P1090162	PI051-13F
R3	J01245470	Carbon film 1/4W Tj 47Ω		P2000018	BATTERY SOCKET S1(006P)
R1	J01245680	" " " " 68Ω		Q9000096	BATTERY CASE C4
R4	J00245102	" " " " VJ 1kΩ			
R5	J00245103	" " " " 10kΩ			
R2	J00245223	" " " " 22kΩ			
MAIN UNIT					
			Symbol No.	Part No.	Description
				F0002169	Printed Circuit Board
				C0021690	P.C.B. with Components
		<b>POTENTIOMETER</b>			<b>TRANSISTOR, FET &amp; IC</b>
VR1	J62800049	DM10A638A-10kΩ-10kA			
VR2	J60800071	VM10A610E-10kC	Q1001-1006,1035, 1052-1056	G3107331Q	TR 2SA733A-Q
VR3	J62800050	DM10A638A-10kΩx2			
		<b>CAPACITOR</b>	Q1007-1012,1021, 1022,1026-1033, 1038-1041,1043, 1047-1051,1057, 1058,1060-1062	G3309451Q	" 2SC945A-Q
C1,2	K12329002	ECKDAL472PE 150VAC 0.0047μF			
C3,4	K13170473	DB207YF473Z5L5 50WV 0.047μF	Q1059	G3313840R	" 2SC1384R
C5	K40170105	50RL " 1μF	Q1042	G3316740L	" 2SC16740L
C6	K40140475	25RL4R7 25WV 4.7μF	Q1023	G3090005	" MPS-A13
		<b>POWER TRANSFORMER</b>	Q1015-1018	G3801250	FET 2SK125
PT1	L3030085		Q1014,1019,1020, 1024,1025,1036, 1037		"
		<b>METER</b>	Q1034	G1090073	IC μPC575C2
M1	M0290021	AP-170	Q1045	G1090084	" μPC78L05A
		<b>SPEAKER</b>	Q1044	G1090033	" SN74LS196
SP1	M4090044	SE92BYM-2 8Ω 2W	Q1046	G1090310	" MSM5524
		<b>LAMP</b>	Q1013	G1090309	" MC14555BCP
PL1	Q1000045	12V 150mA K0298-4-0	D1001-1027,1035, 1036,1041-1044, 1047-1052, 1054-1056	G2090027	<b>DIODE</b> Si 1SS53
		<b>SWITCH</b>	D1034	G2090001	Si 10D1
S1	N4090037	SUF-12 POWER	D1028-1033, 1037-1040,1057	G2090029	Ge 1N60
S2	N4090038	SUF-24 AGC/NB			
S3	N0190076	SRN-2046N MODE			
S4	N0190074	SRN-1025N DISP	D1045	G2090156	Zener RD5.6EB-2
S5	N0190075	SRN-202CN MEM.CH	D1053	G2090154	Zener RD7.5EB-1
		<b>RECEPTACLE</b>	D1046	G2090153	Zener RD10EB-1
J1	P1090028	MBR-06D			<b>FLUORESCENT TUBE</b>
J2	P1090004	SG-7814	DS1001	G6090020	FIP5A8B
J3	P1090201	UK-0002			
J9	P0090094	PA-125			<b>CRYSTAL</b>
		<b>TERMINAL BOARD</b>	X1001	H0102336	HC-18/U 3.2768MHz
	Q9000089	TERMINAL BOARD ASS'Y			<b>CERAMIC OSCILLATOR</b>
J5a,b,c	P1090205	UG-0015 #2 (RED)	CO1001	H7900090	CSB453.5A2 453.5kHz
J5d	P1090211	UG-0015 #1 (Black)	CO1002	H7900100	CSB456.5A2 456.5kHz
J7	P1090201	UK-0002			
J8	P1090206	UC-0007-02			<b>CRYSTAL FILTER</b>
S6	N6090020	OS-22-095	XF1001	H1102023	XF-48JX 48.055MHz
S7	N0190077	JR-1002-06			<b>CERAMIC FILTER</b>
FH1	P2000019	FH-032-C	CF1001	H3900230	CFU455C2





		<b>CONNECTOR</b>		R2048,2050,2053,2055,2061,2063,2067,2070,2072,2075,2076,2080,2081,2088,2098,2102,2107,2108,2114,2115,2120,2130,2135,2140,2145-2147	J00245101	Carbon film	1/4W VJ	100Ω
J1003,1006,1007,1013,1014,1018	P0090120	PI051-02M						
J1002,1010,1015,1020	P0090121	PI051-03M						
J1001,1004,1008	P0090132	PI051-04M						
J1005,1009,1011	P0090133	PI051-05M						
J1012,1017	P0090135	PI051-07M		R2077	J00245151	" "	" "	150Ω
J1016	P0090136	PI051-08M		R2117	J00245181	" "	" "	180Ω
J1019	P1090196	FJ-10-001		R2062, 2124	J00245221	" "	" "	220Ω
				R2089,2142,2144	J00245331	" "	" "	330Ω
	Q5000011	Wrapping Terminal C		R2041,2049,2054,2066,2071,2082,2095,2109,2116	J00245391	" "	" "	390Ω
				R2013,2020,2027,2034,2104,2136	J00245471	" "	" "	470Ω
				R2094,2122	J00245561	" "	" "	560Ω
<b>PLL UNIT</b>				R2015,2022,2029,2036,2037,2039,2058,2110,2119,2126,2131,2132	J00245102	" "	" "	1kΩ
Symbol No.	Part No.	Description						
	F0002170	Printed Circuit Board						
	C0021700	P.C.B with Components						
				R2091,2137	J00245152	" "	" "	1.5kΩ
		<b>TRANSISTOR, IC</b>		R2005-2008,2038,2073,2096,2118,2125,2134	J00245222	" "	" "	2.2kΩ
Q2004-2007	G3107331Q	TR	2SA733A-Q					
Q2016	G3305351	"	2SC535A					
Q2026,2027	G3309000E	"	2SC900E	R2138,2148,2149	J00245272	" "	" "	2.7kΩ
Q2001,2002,2008-2011,2014,2015,2018,2020-2024,2028,2029,2031,2032,2037,2039,2040	G3309451Q	"	2SC945A-Q	R2060,2092,2093,2097	J00245472	" "	" "	4.7kΩ
				R2011,2018,2025,2032,2046,2069,2079,2103,2105,2112,2129	J00245103	" "	" "	10kΩ
Q2012	G3310473	"	2SC1047C					
Q2044,2045	G3313840R	"	2SC1384R	R2012,2019,2026,2033,2047,2056,2059,2068,2078,2101,2106,2113,2128	J00245223	" "	" "	22kΩ
Q2017,2035	G3313930L	"	2SC1393L					
Q2034	G3316740L	"	2SC1674L					
Q2013	G3319590Y	"	2SC1959Y					
Q2043	G3408820Q	"	2SD882Q	R2002,2004,2057,2086,2087	J00245473	" "	" "	47kΩ
Q2042	G1090153	IC	MB8718					
Q2041	G1090311	"	MB84040B	R2074	J00245683	" "	" "	68kΩ
Q2036	G1090296	"	HD10551					
Q2025	G1090087	"	MC4044P	R2001,2003,2009,2010,2016,2017,2023,2024,2030,2031,2051,2065,2090,2099,2100,2111,2133	J00245104	" "	" "	100kΩ
Q2038	G1090312	"	MC14504BCP					
Q2003	G1090128	"	MC14556BCP					
Q2019,2030,2033	G1090012	"	SN16913P					
				R2127	J00245154	" "	" "	150kΩ
		<b>DIODE</b>						
D2001-2020	G2090027	Si	1SS53			<b>BLOCK RESISTOR</b>		
D2021-2025	G2090043	Varactor	MV-104	RB2001	J40900017	RA1/16-6R1MΩ 1/16W 1MΩx6		
D2027,2028	G2090156	Zener	RD5.6EB2			<b>CAPACITOR</b>		
D2026	G2090155	Zener	RD9.1EB2					
				C2048,2062	K00179001	DD104SL0R5C50V02 50WV SL 0.5pF		
		<b>CRYSTAL</b>						
X2001	H0102337	HC-18/U	47.6MHz	C2085,2111,2127	K00172010	DD104SL010C50V02 " " 1pF		
X2002	H0102338	"	6.4MHz					
				C2148	K00172020	DD104SL020C50V02 " " 2pF		
		<b>RESISTOR</b>						
R2139	J10276479	Carbon composition 1/2W T J 4.7Ω		C2034,2045	K00172030	D104SL030C50V02 " " 3pF		
R2123,2141,2143	J00245100	Carbon film 1/4W VJ 10Ω		C2070,2073,2081,2112,2139	K00172050	DD104SL050C50V02 " " 5pF		
R2083-2085	J00245150	" "	" "	15Ω				
R2040,2043	J00245330	" "	" "	33Ω	C2010,2017,2168	K06172050	DD104UJ050C50V02 " UJ 5pF	
R2044	J00245560	" "	" "	56Ω				
R2121	J00245820	" "	" "	82Ω	C2049,2086	K00173060	DD104SL060D50V02 " SL 6pF	
R2014,2021,2028,2035,2042,2045	J00245101	" "	" "	100Ω				

C2108	K06173060	DD104UJ060D50V02 50WV UJ 6pF	C2163,2166,2167, 2173,2177,2178, 2182,2184,2186, 2188-2192	K13170473	DB207YF473Z5L5 50WV 0.047μF	
C2142	K00173080	DD104SL080D50V02 " SL 8pF				
C2105	K06173080	DD104UJ080D50V02 " UJ 8pF	C2101,2102,2183, 2185,2187	K40170105	50RL1	" 1μF
C2043,2044,2063, 2071,2072	K00173100	DD104SL100D50V02 " SL 10pF	C2180	K40140475	25RL4R7	25WV 4.7μF
C2008,2015,2022, 2028,2106	K06173100	DD104UJ100D50V02 " UJ 10pF	C2103,2110,2159, 2162,2179	K40129004	16RE10	16WV 10μF
C2146	K00175120	DD104SL120J50V02 " SL 12pF	C2012,2019,2025, 2031	K40109002	10RE47	10WV 47μF
C2033,2128,2141	K00175150	DD104SL150J50V02 " " 15pF			<b>TRIMMER CAPACITOR</b>	
C2144	K00175180	DD104SL180J50V02 " " 18pF	TC2001,2002	K91000029	ECV1ZW20x53	20pF
C2040,2042,2055, 2058,2082,2149, 2175	K00175220	DD104SL220J50V02 " " 22pF			<b>INDUCTOR</b>	
C2054	K06175220	DD104UJ220J50V02 " UJ 22pF	L2002,2003,2005	L1190113	FL-3H R22M	0.22μH
C2039,2041,2145	K00175270	DD104SL270J50V02 " SL 27pF	L2001,2004	L1190011	FL-4H R47M	0.47μH
C2143	K00179007	DD104SL300J50V02 " " 30pF	L2037	L1190013	FL-4H R68M	0.68μH
C2009,2016,2023, 2029,2107	K06175330	DD104UJ330J50V02 " UJ 33pF	L2010-2012	L1190009	FL-4H 3R3M	3.3μH
C2147	K00179008	DD104SL360J50V02 " SL 36pF	L2031	L1190014	FL-5H 100K	10μH
C2077,2078	K02179014	DD106CH360J50V02 " CH 36pF	L2028,2029	L1190025	FL-5H 330K	33μH
C2169	K06175390	DD104UJ390J50V02 " UJ 39pF	L2021,2022	L1190027	FL-5H 390K	39μH
C2007,2014,2021, 2027	K06175470	DD104UJ470J50V02 " " 47pF	L2006,2007,2015	L1190029	FL-5H 470K	47μH
C2119,2121	K00179510	DD104SL510J50V02 " SL 51pF	L2008,2009,2014, 2016,2020,2023, 2030,2033,2035	L1190020	FL-5H 151K	150μH
C2120	K00175101	DD105SL101J50V02 " " 100pF	L2013,2017-2019, 2032,2034,2036	L1190017	FL-5H 102K	1mH
C2170,2171	K02175151	DD109CH151J50V02 " CH 150pF	L2024,2026	L0020882		L.P.F
C2133	K30176271	Z17D271K05 " 270pF	L2025	L0020871		L.P.F
C2150	K10176391	DD104YB391K50V02 " 390pF	L2027	L0020873		L.P.F
C2061,2156	K12171102	DD105E102P50V02 " 0.001μF			<b>TRANSFORMER</b>	
C2001,2011,2013, 2018,2020,2024, 2026,2030,2032, 2035-2038,2046, 2047,2050-2053, 2056,2059, 2064-2069, 2074-2076,2080, 2083,2084, 2081-2091, 2093-2096,2098, 2100,2109, 2113-2118,2124, 2125,2129,2131, 2132,2134, 2136-2138,2140, 2152,2153,2155, 2158,2160,2164, 2165,2172,2174, 2176,2181,2193	K13170103	DB201YF103Z5L5 " 0.01μF	T2001	L0020869		
C2002-2006,2057, 2060,2079,2092, 2097,2099,2104, 2126,2130,2135, 2154,2157,2161	K13170473	DB207YF473Z5L5 " 0.047μF	T2002	L0020868		
			T2003	L0020867		
			T2004	L0020866		
			T2005	L0020110	R12-4797	
			T2006	L0020127	R12-4094A	
			T2007	L0020862		
			T2008	L0020209		
					<b>SWITCH</b>	
			S2001	N0190072	CB-1-2-40	
					<b>CONNECTOR</b>	
			J2004-2006,2008, 2009	P0090120	PI051-02M	
			J2007	P0090121	PI051-03M	
			J2010	P0090132	PI051-04M	
			J2001	P0090133	PI051-05M	
			J2002	P0090136	PI051-08M	
			J2003	P0090140	PI051-12M	
				Q5000011	Wrapping terminal C	

FM UNIT					INDUCTOR	
Symbol No.	Part No.	Description	L7001,7002	L1190017	FL5H 102K	1mH
	F0002176	Printed Circuit Board				
	C0021760	P.C.B with Components				
			J7001	P0090167	PI011-08M	8P
		<b>TRANSISTOR &amp; IC</b>				
Q7001,7003-7007	G3309451Q	TR 2SC945A-Q				
Q7002	G1090059	IC TA-7061AP				
		<b>DIODE</b>				
D7001-7004	G2001880F	Ge 1S188FM	<b>VFO UNIT</b>			
D7005	G2090027	Si 1SS53	Symbol No.	Part No.	Description	
				F0002172	Printed Circuit Board	
				C0021720	P.C.B with Components	
		<b>THERMISTOR</b>				
TH7001	G9090001	SDT-250				
		<b>CERAMIC FILTER</b>	Q3001-3003	G3309451Q	2SC945A-Q	
CF7001	H3900030	LFB-15				
		<b>CERAMIC DISCRIMINATOR</b>	R3015	J00245330	Carbon film	1/4W VJ 33Ω
CD7001	H7900010	455D	R3007,3010-3012,3016	J00245101	" "	" " 100Ω
		<b>RESISTOR</b>	R3004,3008,3009,3014	J00245102	" "	" " 1kΩ
R7022	J00245470	Carbon film 1/4W VJ 47Ω	R3003	J00245222	" "	" " 2.2kΩ
R7003,7005,7007,7012,7029,7030	J00245101	" " " " 100Ω	R3001	J00245183	" "	" " 18kΩ
R7017	J00245221	" " " " 220Ω	R3005	J00245223	" "	" " 22kΩ
R7001	J00245102	" " " " 1kΩ	R3002	J00245333	" "	" " 33kΩ
R7019,7023	J00245152	" " " " 1.5kΩ	R3006	J00245104	" "	" " 100kΩ
R7004,7006,7008,7011	J00245222	" " " " 2.2kΩ	R3013	J00245154	" "	" " 150kΩ
R7028	J00245472	" " " " 4.7kΩ			<b>CAPACITOR</b>	
R7013,7015,7018	J00245562	" " " " 5.6kΩ	C3008	K02173100	DD104CH100D50V02	50WV CH10pF
R7026,7027	J00245682	" " " " 6.8kΩ	C3003	K02179012	DD105CH300D50V02	" " 30pF
R7009,7010,7021,7031,7032	J00245103	" " " " 10kΩ	C3002	K06179012	DD106UJ910J50V02	" " 91pF
R7020,7024	J00245823	" " " " 82kΩ	C3004	K02175101	DD107CH101J50V02	" " 100pF
R7025	J00245104	" " " " 100kΩ	C3007	K30176681	LCQ18681K05	" " 680pF
R7002	J00245224	" " " " 220kΩ	C3013,3014	K10176681	DD104B681K50V02	" " 680pF
R7014,7016	J00245564	" " " " 560kΩ	C3006	K30209001	DM19D102K1	100WV 1000pF
		<b>CAPACITOR</b>	C3001	K30209006	DM19D242K1	" " 2400pF
C7017	K00179005	DD104SL200J50V02	C3005,3010,3012	K13170103	DB201YF103Z5L5	50WV 0.01μF
		50WV SL 20pF	C3009,3011,3015,3016	K13170473	DB207YF473Z5L5	" " 0.047μF
C7027	K00175101	DD105SL101J50V02				
		" " " " 100pF				
C7010,7016	K12171102	DD105E102P50V02				
		" " " " 0.001μF				
C7028	K13170472	DB201YF472Z5L5				
		" " " " 0.0047μF				
C7001,7003,7004,7009,7014,7015,7019,7026,7029	K13170103	DB201YF103Z5L5				
		" " " " 0.01μF				
C7018	K13170223	DD109F223Z50V02				
		" " " " 0.022μF				
C7011,7012	K50177223	50F2U223M				
		" " " " 0.022μF				
C7002,7005-7008,7020	K13170473	DB207YF473Z5L5				
		" " " " 0.047μF				
C7013	K70167224	CS15E1VR22M	L3001	L0020062	R12-S775	
		35WV 0.22μF	L3003	L1190009	FL4H 3R3M	3.3μH
C7024,7025	K40170105	50RL1 50WV 1μF	L3002	L1190016	FL5H 101K	100μH
C7022,7023	K40140475	25RL4.7 25WV 4.7μF				
C7021,7030,7031	K40120106	16RL10 16WV 10μF				
			PL3001	Q1000043	K0298-4-0	12V, 100mA

SWITCH UNIT				MEMORY UNIT (OPTION)			
Symbol No.	Part No.	Description		Symbol No.	Part No.	Description	
	F0002173	Printed Circuit Board			F0002175	Printed Circuit Board	
	C0021730	P.C.B with Components			C0021750	P.C.B with Components	
		<b>TRANSISTOR</b>				<b>TRANSISTOR, FET &amp; IC</b>	
Q4001,4002	G3309451Q	2SC945A-Q		Q6036	G3107331Q	TR	2SA733A-Q
				Q6017,6018	G3309000E	"	2SC900E
		<b>DIODE</b>		Q6005,6015,6016,6029	G3309451Q	"	2SC945A-Q
D4001,4002	G2090134	LED	TLY-205	Q6014	G3313170R	"	2SC1317R
		<b>RESISTOR</b>		Q6003,6006	G3316740L	"	2SC1674L
R4008	J20336100	Metallic film	2W 10Ω	Q6013,6037	G3408820Q	"	2SD882Q
R4004	J01245391	Carbon film	1/4W T1 390Ω	Q6001,6002	G3801070C	FET	2SK107-3
R4005,4006	J01245681	" "	" " 680Ω	Q6028	G4800730G	"	3SK73GR
R4002,4003,4007	J01245102	" "	" " 1kΩ	Q6004	G1090313	IC	μPB553C
R4001	J01245562	" "	" " 5.6kΩ	Q6030-6035	G1090227	"	μPD5101LC
				Q6007	G1090296	"	HD10551
		<b>SWITCH</b>		Q6008	G1090100	"	SN74LS123
S4001-4004	N5090003	KEF-10901		Q6009-6012	G1090019	"	SN74LS192
S4005	N4090039	SUT-42A		Q6025	G1090317	"	SN74LS290
	T9203650	FLAT CABLE		Q6021	G1090315	"	SN74LS293
				Q6020,6022	G1090165	"	MC14024BCP
				Q6019	G1090314	"	MC14046BCP
				Q6023	G1090126	"	MC14069UBCP
				Q6026,6027	G1090108	"	MC14518BCP
				Q6024	G1090316	"	MSM4023RS
		<b>POWER SUPPLY UNIT</b>				<b>DIODE</b>	
Symbol No.	Part No.	Description		D6001,6002	G2090073	Varactor	FC-52M
	F0002171	Printed Circuit Board		D6007	G2090040	Varactor	FC-63
	C0021710	P.C.B with Components		D6003,6010	G2090156	Zener	RD5.6EB2
		<b>TRANSISTOR</b>		D6004	G2090153	Zener	RD10EB1
Q5001-5003	G3309451Q	2SC945A-Q		D6005,6006,6008,6009	G2090027	Si	1SS53
		<b>DIODE</b>				<b>CRYSTAL</b>	
D5001	G2090157	Si	S2VB10F	X6001	H0102339	HC-18/U, 3P	16.384MHz
D5002	G2090158	Zener	RD4.7EB2			<b>RESISTOR</b>	
D5003	G2090159	Si	S2V10	R6027	J20306100	Metallic film	1W 10Ω
		<b>RESISTOR</b>		R6029	J00245100	Carbon film	1/4W VJ 10Ω
R5005	J00245331	Carbon film	1/4W VJ 330Ω	R6019	J00245270	" "	" " 27Ω
R5003,5004	J00245471	" "	" " 470Ω	R6060	J20306330	Metallic film	1W 33Ω
R5002	J00245122	" "	" " 1.2kΩ	R6005,6011,6012,6017,6020,6023,6030,6035,6042,6055,6056	J00245100	Carbon film	1/4W VJ 100Ω
R5001	J00245182	" "	" " 1.8kΩ				
R5007	J00245472	" "	" " 4.7kΩ	R6001,6004,6025,6026,6028	J00245221	" "	" " 220Ω
R5006	J00245682	" "	" " 6.8kΩ	R6013,6024	J00245391	" "	" " 390Ω
		<b>CAPACITOR</b>		R6018	J00245471	" "	" " 470Ω
CS006	K13170473	DB207YF473Z5L5	50WV 0.047μF	R6067	J00245561	" "	" " 560Ω
CS004	K40170105	S0RL1	" 1μF	R6036,6038,6058,6062	J00245102	" "	" " 1kΩ
CS003,5005	K40120106	16RL10	16WV 10μF	R6041	J00245182	" "	" " 1.8kΩ
CS002	K40120336	16RL33	" 33μF	R6014,6043	J00245222	" "	" " 2.2kΩ
CS001	K40149013	RPE-25V682M	25WV 6800μF	R6063-6066	J00245272	" "	" " 2.7kΩ
		<b>CONNECTOR</b>		R6040	J00245562	" "	" " 5.6kΩ
J5001-5003	P0090120	PI051-02M		R6034,6046,6049,6053,6059	J00245103	" "	" " 10kΩ
J5004	P0090132	PI051-04M		R6010,6015,6022	J00245183	" "	" " 18kΩ
	Q5000011	Wrapping terminal C		R6009,6016,6021,6031,6033,6051	J00245223	" "	" " 22kΩ
				R6050	J00245333	" "	" " 33kΩ

R6052	J00245393	Carbon film	1/4W VJ	39kΩ					<b>INDUCTOR</b>
R6002,6003,6006,6007	J00245473	" "	" "	47kΩ	L6006	L1190005	FL4H IR0M	1μH	
R6008,6032,6044	J00245104	" "	" "	100kΩ	L6004,6008	L1190009	FL4H 3R3M	3.3μH	
R6037	J00245124	" "	" "	120kΩ	L6005,6007	L1190111	FL4H 5R6K	5.6μH	
R6045	J00245154	" "	" "	150kΩ	L6001,6002,6009,6012,6014	L1190020	FL5H 151K	150μH	
R6057	J00245184	" "	" "	180kΩ	L6003,6010,6016	L1190017	FL5H 102K	1mH	
R6061	J00245224	" "	" "	220kΩ	L6011	L2030067A	S/N COIL	3mH	
					L6013,6015	L1190035	FL7H 392J	3.9mH	
		<b>BLOCK RESISTOR</b>							
RB6001	J40900018	RA1/16K9R100kΩ					<b>TRANSFORMER</b>		
		1/16W 100kΩx9			T6001	L0020110			R12-4797A
					T6002	L0020864			VCO COIL
					T6003	L0020865			"
		<b>CAPACITOR</b>							
C6044	K06173060	DD104UJ060D50V02							<b>CONNECTOR</b>
		50WV UJ 6pF							
C6001,6002	K02173070	DD104CH070D50V02			J6006	P0090120	PI051-02M	2P	
		" CH 7pF			J6004	P0090132	PI051-04M	4P	
C6011,6027,6069	K00175120	DD104SL120J50V02			J6001	P0090133	PI051-05M	5P	
		" SL 12pF			J6005	P0090136	PI051-08M	8P	
C6012	K00175270	DD104SL270J50V02			J6003	P0090140	PI051-12M	12P	
		" " 27pF			J6002	P0090141	PI051-13M	13P	
C6043	K06175330	DD104UJ330J50V02							
		" UJ 33pF				Q5000011	Wrapping terminal C		
C6067	K00175560	D104SL560J50V02							
		" SL 56pF							
C6049	K02175560	DD106CH560J50V02							
		" CH 56pF							
C6045	K06179009	DD105UJ560J50V02							
		" UJ 56pF							
					<b>ACCESSORIES</b>				
C6046	K02175151	DD109CH151J50V02			Symbol No.	Part No.	Description		
		" " 150pF				Q3000004	Wire Antenna		
C6023,6025	K10176561	DD104B561K50V02				R3054620	FOOT	H-30	
		" 560pF							
C6022,6026	K10176821	DD104B821K50V02				Q0000002	Fuse	1A (AC100-120V)	
		" 820pF				Q0000001		0.5A (AC200-240V)	
C6003,6004,6006,6007,6008,6010,6013,6014,6030,6031,6068	K12171102	DD105E102P50V02					AC POWER CORD		
		" 0.001μF				T9013280	2 wire, 2 prong plug DC-546-007		
C6024	K10179022	2222-660-02272				T9013282	3 wire, 3 prong plug (UL) UC-904-016		
		" 2700μF				T9013284	3 wire, 2 prong EU plug EC-407-007		
C6009,6016-6021,6029,6033,6034,6038,6042,6047,6048,6054-6059,6061	K14179002	RD204YM0.01μF				T9013283	3 wire, 3 prong Australian plug SC-411-001		
		" 0.01μF							
C6053	K50177103	50F2U103M	"	0.01μF					
C6005,6036,6051,6070-6073	K13170473	DB207YF473Z515				S3000023	Mini Belt C		
		" 0.047μF							
C6064	K23170003	RPE112F104Z50V							
		" 0.1μF							
C6050	K54200001	B32561-A1105J							
		100WV	1μF						
C6015,6032,6035,6039,6060,6066	K40120106	16RL10	16WV	10μF					
C6052,6062	K40120226	16RL22	16WV	22μF					
C6063,2065	K40149003	25RE100	25WV	100μF					
C6041	K40120227	16RL220	16WV	220μF					
C6040	K40129006	16RE470	"	470μF					
C6037	K40089004	6.3RE1000	6.3WV	1000μF					
		<b>MODULE</b>							
RCM6001	Q80000005	RK1/16R-11R100kΩ/103Z50	(1/16W 100kx11, 50WV 0.01μFx11)						





# GILFER ASSOCIATES, INC

P.O. Box 239 52 Park Avenue Park Ridge, NJ 07656 USA 201-391-7887



## MODIFICATIONS TO THE FRG-7700 GENERAL COVERAGE RECEIVER

The YAESU FRG-7700 is the first modestly-priced receiver with a choice of three selectivity curves--Narrow, Medium and Wide. For shortwave listening in Japan these selectivity options may have been sufficient, but we find that GILFER customers prefer a substantial reduction in the width of all three selectivity curves.

Filters installed by the manufacturer have the following measured median selectivity bandwidths:

Narrow: 2.7 kHz at -6 dB and about 7.5 kHz at -60 dB\*  
Medium: 6.0 kHz at -6 dB and 14.0 kHz at -60 dB  
Wide: 12.0 kHz at -6 dB and 28.0 kHz at -60 dB

The Wide selectivity option is far too wide to be of any value in short-wave listening and the Medium is only marginally useful. All 3 filters have to be changed and we have found that the best values are the following:

Narrow: <2.2 kHz at -6 dB and about 5.5 kHz at -60 dB  
Medium: 4.0 kHz at -6 dB and about 9.5 kHz at -60 dB  
Wide: 6.0 kHz at -6 dB and about 18 kHz at -60 dB

To insure maintaining the deep skirt selectivity, we will also add two single-section precision ceramic resonators in the sources of two transistors in the 455-kHz IF stages. And, while the receiver is open we further increase the gain of the IF stages to improve weak signal sensitivity.

We will upgrade your FRG-7700 for vastly improved selectivity for \$75.00, plus shipping charges. If you want the DC input provision added, it is an extra \$12.00 (includes fused-protected cord). Or, we will test and install a 12-channel memory for an extra \$137.00.

GILFER TECHNICAL SERVICES  
April, 1982

\* The Instruction Manual with your FRG-7700 contains an error in the Parts List (page 26). Ceramic filter CF1002 is not the type LF-C2A as indicated. To date, all American models of the FRG-7700 have a Murata filter type "CFM-455-J1". This filter has the bandwidth characteristics as advertised by the manufacturer and as described above. Removed components are always returned to the customer.